

# UW-FLx - UW Plug to Flying Lead Cable

## WIRING

### UW-FLx Wiring Information

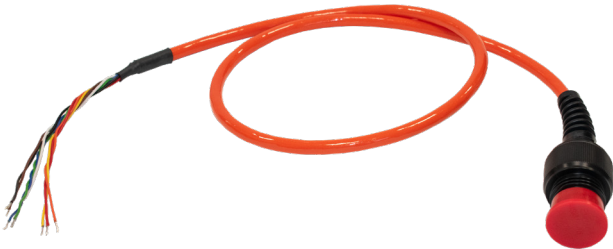


Figure 1: UW-FLx Cable Assembly

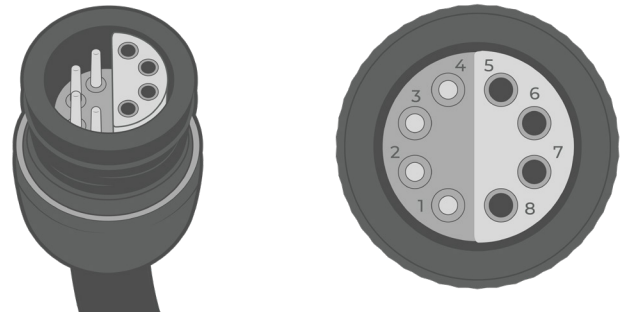


Figure 3: UW Plug pinout.

### Overview

The UW-FLx is an underwater plug connector to flying lead cable assembly. The flying lead configuration allows 3rd party equipment to interface to the NexSens SensorBUS on X2 data loggers.

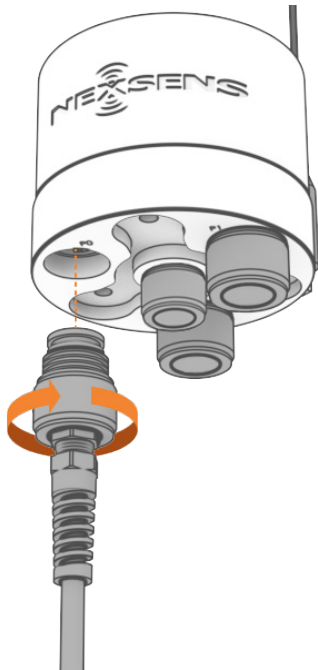


Figure 2: UW Plug connection to an X2 data logger sensor port.

Table 1: UW Plug wiring information.

UW Plug Pin	Wire Color	SensorBUS Signal
1	Orange	RS-232 Tx
2	Black	Ground
3	Yellow	RS-232 Rx
4	White	5V Power
5	Red	12V Power
6	Brown	SDI-12
7	Blue	RS-485 B
8	Green	RS-485 A