

UW6-BULK ASSEMBLY

WIRING & INSTALLATION



Figure 1: UW6-BULK power bulkhead connector assembly.

Overview

The NexSens UW6 power bulkhead connector assembly allows customers to integrate power on 3rd party enclosures for buoy lids and solar power packs. The UW6-Bulk includes a 1-meter pigtail for terminal wiring.

What's Included

- (1) Nut for connection to an enclosure
- (1) 4-pin molex connector
- (1) 2 x 15mm O-ring (Pre-installed)
- (2) Flying lead wires for power connection

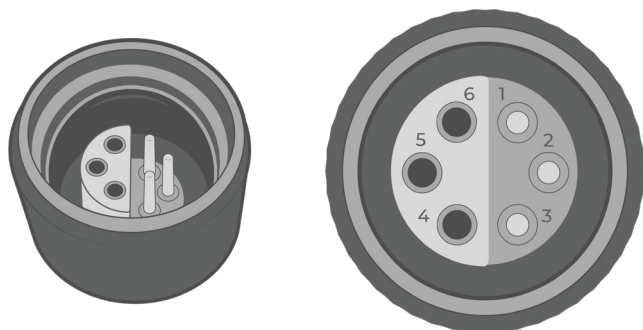


Figure 2: UW6 receptacle pin numbers.

Table 1: UW-6 Bulk wiring information.

UW6 Receptacle Pin	Wire Color
3	Red (Only on molex connector)
4	Black ^a (Both black wires)
5	Yellow ^a
6	Orange/Red ^b

Note: Information below refers to connection with a NexSens solar tower.

^aThe solar tower plug is connected to both black wires (ground) and the single yellow wire (power).

^bThe orange molex wire and the red flying lead wire are shorted together.

More information is available at: nexsens.com/uw6bpo

UW6-Bulk Installation on NexSens Pass-through Lid

- 1 Remove the bottom nut from the UW6-BULK.
 - a. Ensure the O-ring on the bottom of the UW6-BULK does not fall out while removing the nut.
 - b. Route the UW6-BULK wires through an open port on the pass-through lid and align the flat edges.

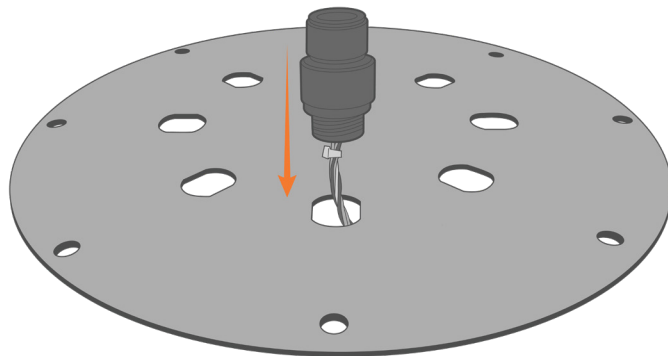


Figure 3: UW6-BULK wire routing.

- ② Underneath the plate, route the wires through the nut and rotate the nut onto the threads.
 - a. Hand tighten the nut and then use a 3/16" allen wrench to add an additional 1/8 turn.
 - b. Apply an adhesive between the nut and the threads for further security.

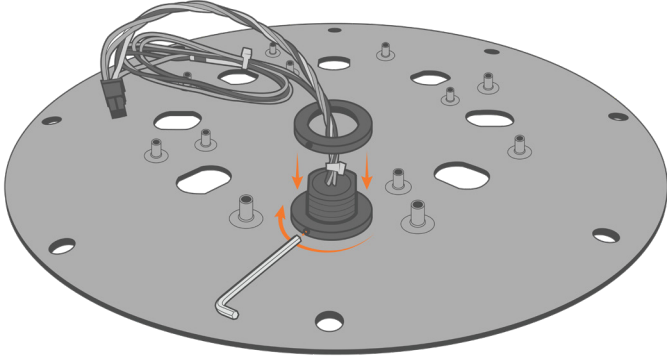


Figure 4: Securing the UW6-BULK.