

UW6-BB X2 BATTERY BACKUP

INSTALLATION INSTRUCTIONS



Figure 1: NexSens UW6 Battery Backup.

Overview

The NexSens UW6-BB battery backup provides auxiliary power to X2 and G2-Series systems when primary AC power is disrupted. The UW6-BB is a weatherproof box that houses a 8.5 A-hr SLA battery. The UW6-BB is designed for use with NexSens X-Series data loggers.

What's Included

Battery enclosure mounting hardware

- (2) Mounting braces
- (2) 5/16-18 x 2" U-bolts
- (8) 5/16" flat washers (4 installed on U-bolts)
- (4) 5/16" split-lock washers (installed on U-bolts)
- (4) 5/16-18" Hex nuts
- (4) 1/4-20 x 7/16" Flat head screws

Battery Box Mounting

- 1 Set the battery enclosure on its face and align one of the included mounting braces with the top threaded inserts.
 - a. Secure the brace using the included Phillips-head screws, a lock washer, and a flat washer.
 - b. Thoroughly tighten the screws using a Phillips screwdriver.

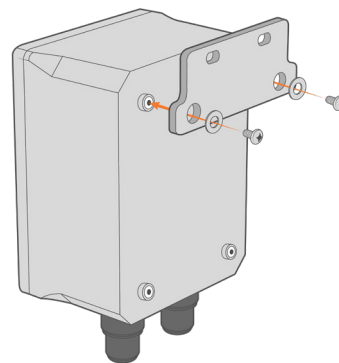


Figure 2: Install brace for battery enclosure.

- 2 Attach the other mounting brace to the 2" NPT deployment pipe or MAST accessory using one of the included U-bolts.
 - a. Place the included flat washer, lock washer, and nut on each U-bolt thread.
 - b. Evenly tighten the brace using a 1/2" socket.

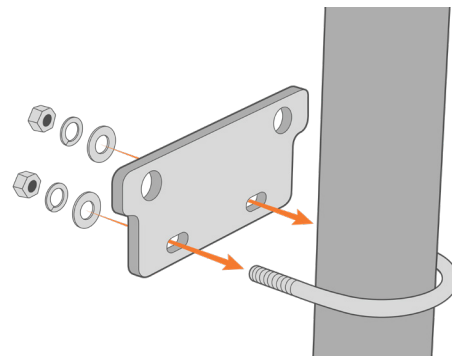


Figure 3: Install second brace on pipe mount.

- 3 Align the bottom threaded inserts of the battery box with the brace mounted on the pipe.
 - a. Secure the lower brace using the remaining phillips-head screws, lock washer, and flat washer.
 - b. Run the remaining U-bolt around the pipe and through the top brace.
 - Secure it with the remaining flat washer, lock washer, and nuts. Evenly tighten the brace using a 1/2" socket.

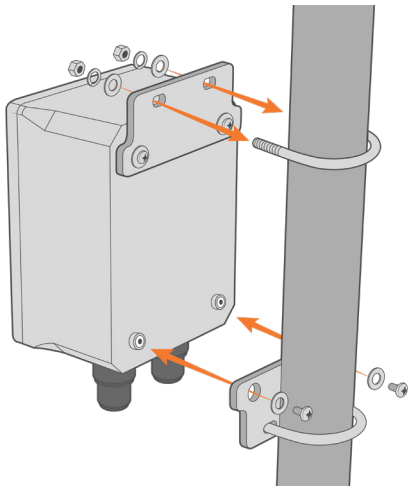


Figure 4: Battery enclosure installed on pipe mount.

Data Logger Connection

- 1 Once the box is mounted:
 - a. Connect the AC adapter to the AC IN port on the battery enclosure.
 - The included AC adapter is keyed to prevent misconnections.
 - b. Connect the included orange UW6-2P cable to the PWR OUT port on the battery enclosure.
 - The free end of the UW6-2P cable connects to the 6-pin port of the X2 data logger to supply system power.

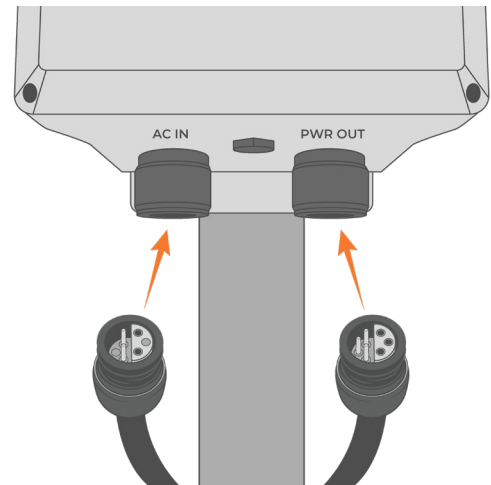


Figure 5: AC adapter and data logger connection to battery enclosure ports.

IMPORTANT - Ensure to provide a waterproof enclosure for the AC adapter's barrel connection if using in a high humidity environment.