

UW-FWP - UW Field Wireable Plug

WIRING & INSTALLATION GUIDE



Figure 1: NexSens UW Field Wireable Plug

Overview

The UW-FWP Field Wireable Plug allows for connection between a flying lead sensor cable to a standard NexSens UW-8 receptacle. Vented UW-FWP's allows for vented cables to equalize to ambient atmospheric pressure while maintaining a weather-tight seal.

What's Included

- (1) 7/64" Hex key
- (2) 6-32 x 3/16" Socket head screws (Pre-installed)
- (1) 8-pin bulkhead connector (Pre-installed)

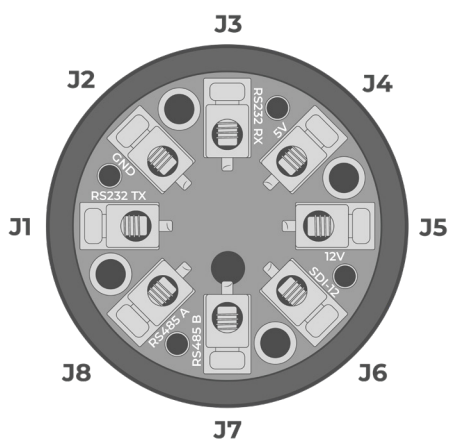


Figure 2: UW-FWP terminal pinout.

UW-FWP Wiring Information

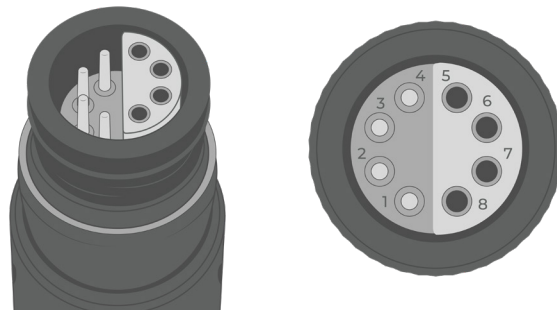


Figure 3: UW-FWP Plug pinout.

Table 1: UW-FWP wiring information.

UW-FWP Plug Pin	UW-FWP Terminal Signal	UW-FWP Terminal Pin
1	RS-232 Tx	J1
2	Ground	J2
3	RS-232 Rx	J3
4	5V Power	J4
5	12V Power	J5
6	SDI-12	J6
7	RS-485 B	J7
8	RS-485 A	J8

Cable Installation

- ① Disassemble the UW-FWP by removing the two set screws on each side of the UW-FWP.
 - a. Use the included 7/64" hex driver.
 - b. Carefully pull the sleeve off of the bulkhead.

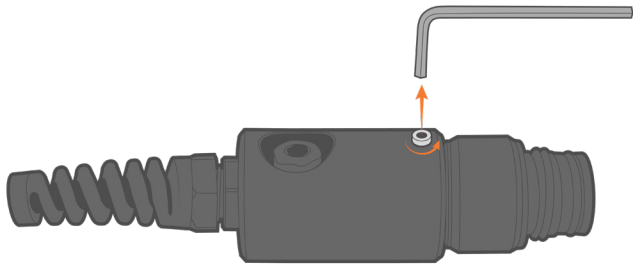


Figure 4: Remove UW-FWP set screws.

- ② Route the flying lead cable wires through the flex fitting and sleeve.
 - a. Any heat shrink on the cable must be past the flex fitting to ensure the fitting is tightened around the cable and not the heat shrink.
 - b. Tighten the flex fitting onto the cable using an adjustable wrench.
 - c. For vented sensors, do not over-tighten to avoid pinching the vent tube closed.
 - d. At this point, cut back and insulate all unused wires.



Figure 5: Route the flying lead wires.

- ③ Use a flat head screwdriver to loosen the screws on the necessary J pins.
 - a. It is recommended to strip an 1/8" portion of each wire and tin the ends before inserting into the corresponding J pin.
 - b. Follow the table on the first page, along with the terminal names shown near each J pin to match the proper signals.
 - c. All screws on unused J pins must either be removed entirely or tightened fully to avoid coming loose and causing a short within the UW-FWP.
 - d. Gently pull on the wires to ensure a secure connection.
 - e. It is recommended to install a desiccant into the sleeve before fully closing the UW-FWP.
 - A desiccant is included with the purchase of a vented UW-FWP (UW-FWP-V).

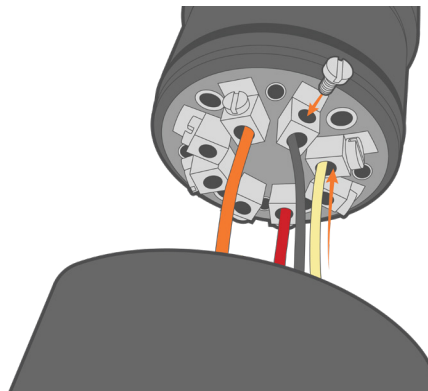


Figure 6: Wire connections to J pins.

- ④ If necessary, rotate the bulkhead slightly to fit the wires into the sleeve.
 - a. Align the openings on the sleeve with the screw holes on the bulkhead.
 - b. Reinsert the screws using the 7/64" hex driver.