

SP32 SOLAR PANEL KIT

INSTALLATION INSTRUCTIONS



Figure 1: NexSens SP32 Solar Panel Kit.

Overview

The NexSens SP32 Solar Panel Kit contains a 17 A-Hr battery with a 32-watt solar panel. The battery is housed in a NEMA 4x weather tight enclosure. The kit is designed for use with NexSens X-Series data loggers.

What's Included

Battery enclosure mounting hardware

- (2) Mounting braces
- (2) 5/16-18 x 2" U-bolts
- (8) 5/16" flat washers (4 installed on U-bolts)
- (4) 5/16" split-lock washers (installed on U-bolts)
- (4) 5/16-18" Hex nuts
- (4) 1/4-20 x 7/16" Phillips head screws

Solar panel mounting hardware

- (2) 3/8-16 x 1-5/8" Hex cap bolts
- (2) 3/8" flat washer
- (2) 3/8" split-lock washers
- (2) 3/8-16" Hex nuts
- (2) 5/16-18 x 2" U-bolts
- (4) 5/16" Flat washers (installed on U-bolts)
- (4) 5/16" Split-lock washers (installed on U-bolts)
- (4) 5/16-18" Hex nuts (installed on U-bolts)

Battery Box Mounting

- 1 Set the battery enclosure on its face and align one of the included mounting braces with the top threaded inserts.
 - a. Secure the brace using the included Phillips-head screws, a lock washer, and a flat washer.
 - b. Thoroughly tighten the screws using a Phillips screwdriver.

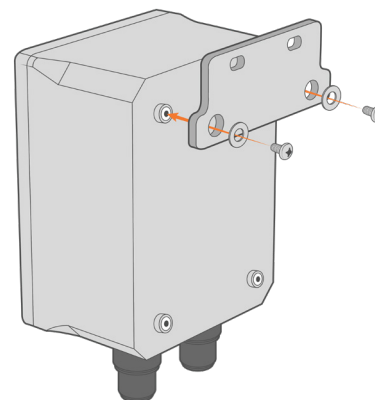


Figure 2: Install brace for battery enclosure.

- 2 Attach the other mounting brace to the 2" NPT deployment pipe or MAST accessory using one of the included U-bolts.
 - a. Place the included flat washer, lock washer, and nut on each U-bolt threads.
 - b. Evenly tighten the brace using a 1/2" socket.

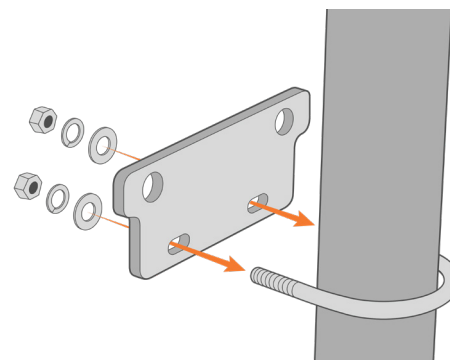


Figure 3: Install second brace on pipe mount.

- 3 Align the bottom threaded inserts of the battery box with the brace mounted on the pipe.
 - a. Secure the lower brace using the remaining phillips-head screws, lock washer, and flat washer.
 - b. Run the remaining U-bolt around the pipe and through the top brace.
 - Secure it with the remaining flat washer, lock washer, and nuts. Evenly tighten the brace using a 1/2" socket.

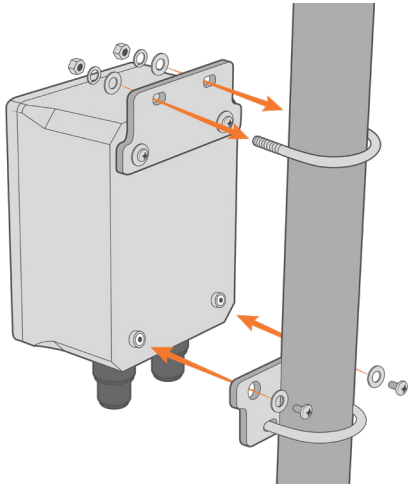


Figure 4: Battery enclosure installed on pipe mount.

- 2 Align the center holes of the panel pipe mount and the rear mount of the solar panel.
 - a. Insert (1) 3/8-16 x 1-5/8" hex head cap screw with a flat washer through the center holes.
 - b. Attach a flat washer, lock washer and nut to the other side and tighten with a 9/16" socket.
 - c. Insert the second 1-5/8" hex head cap screw with a flat washer through one of the remaining holes on the mount.
 - The angle of the solar panel can be adjusted by tightening the bolt in the proper position using a 9/16" socket.

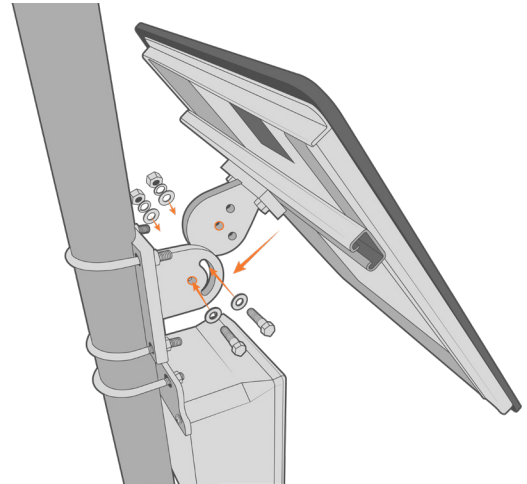


Figure 6: Solar panel secured on pipe mount.

Solar Panel Mounting

- 1 Loosen or remove/re-install the panel pipe mount U-bolts to fit around the pipe.
 - a. Evenly tighten both U-bolts on each side using a 1/2" socket.

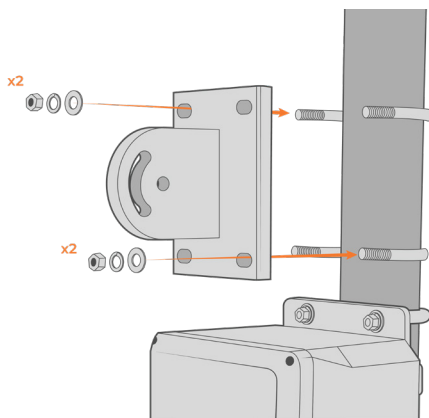


Figure 5: Solar panel mount installed on pipe mount.

Data Logger Connection

- 1 Once the panel and box are mounted:
 - a. Connect the black cable from the solar panel to the SOLAR IN port on the battery enclosure.
 - b. Connect the included orange UW6-2P cable to the PWR OUT port on the battery enclosure and the other end to the X2 data logger.