

# RF-BULK ASSEMBLY

## INSTALLATION GUIDE



Figure 1: RF-BULK modem bulkhead connector assembly.

### Overview

The NexSens RF bulkhead connector assembly allows 3rd party modems to be integrated inside CB-Series buoy data wells. The RF-Bulk includes a 1-meter pigtail with an SMA connector. It is intended for use with NexSens CB-PTL and CB-MCL pass-through lids. For other applications, the RF-Bulk requires a 1" diameter enclosure hole.

### What's Included

- (1) 2 x 26mm O-ring (Pre-installed)
- (4) 4-40 x 1/2" Pan head screws (Pre-installed)
- 1-meter coaxial cable (Pre-epoxied)
- (1) Nut for connection to lid

### RF-BULK Installation on NexSens Pass-through Lid

- 1 Remove one of the blank sensor plugs from the pass-through lid using a 3/16" allen wrench to remove the nut underneath the plate.

- 2 Remove the nut on the RF-BULK and route the RF-BULK cable through the open port on the pass-through lid.
  - a. Ensure to align the flat edges of the RF-BULK threads with the open port.

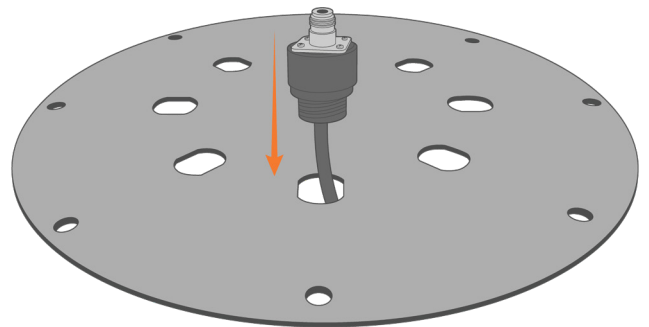


Figure 2: RF-BULK cable routing.

- 3 Underneath the plate, route the cable through the nut and rotate the nut onto the threads.
  - a. Hand tighten the nut and then use a 3/16" allen wrench to add an additional 1/8 turn.
  - b. Apply an adhesive between the nut and the threads for further security.

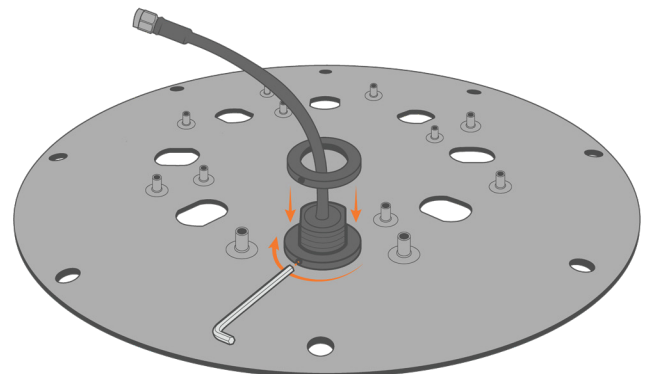


Figure 3: Securing the RF-BULK.