

M550 SOLAR MARINE LIGHT

INSTALLATION AND BEACON CONFIGURATION



Figure 1: NexSens M550 1-3 Nautical Mile Solar Marine Light.

Overview



The NexSens M550 solar marine lights are designed for mounting to the CB-Series data buoys per USCG requirements. The beacons are programmed using an IR remote and a set of commands to check power and set the flash code.

What's Included

Beacon equipment

- (1) IR remote programmer
- (4) 1/4" Flat washers
- (2) 1/4-20 Nylon hex locknuts
- (2) 1/4-20 x 1-3/4" Hex head cap bolts (partially threaded)
- (2) 1/4-20 x 2" Hex head cap bolts (fully threaded)

IR Remote Programming

- 1 Point the IR remote at the side of the M550 and hold down the power button for approximately three seconds.
 - a. The beacon will illuminate dimly and grow brighter over a 2-3 second span.
- 2 Check the battery status of the beacon by entering the passcode sequence 
 - a. Note: The beacon will flash as each button press is registered. Once entered, the beacon will flash quickly 3 times to acknowledge the command.
 - b. Observe the following flash patterns:
 - 1 flash indicates a battery replacement is required.
 - 2 flashes means the batteries need charged. (Place in direct sunlight to charge).
 - 3 flashes signify an adequate battery charge.
- 3 Set the flash code for the beacon.
 - a. Example: A one second flash duration every 4 seconds would require the following code 
 - b. More flash code patterns can be found within the M550 user manual at the link below or the manual included with your order.
 - fondriest.com/m550man

Installation on NexSens Solar Tower

- 1 Remove the plate from the top of the solar tower using a 9/16" socket wrench.

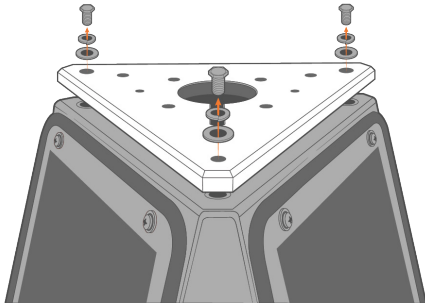


Figure 2: Remove the solar tower plate.

- 2 Locate the two top mounting holes on the plate and align the beacon bolt holes.
 - a. Insert two bolts with a lockwasher and flat washer through the beacon bolt holes and holes on the top plate.

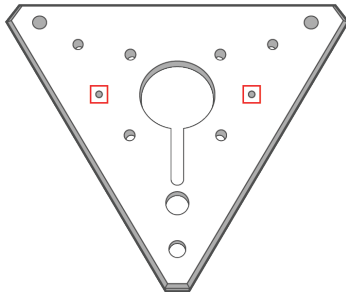


Figure 3: Beacon mount locations.

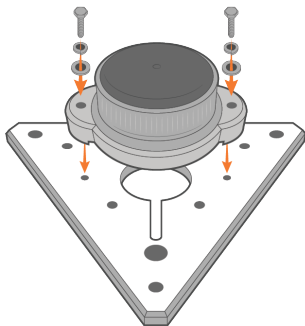


Figure 4: Align and mount the beacon.

- 3 Place a flat washer on the bottom part of the each bolt and thread on a nut.
 - a. Use a 7/16" socket wrench on each side of the bolt to tighten the nut.

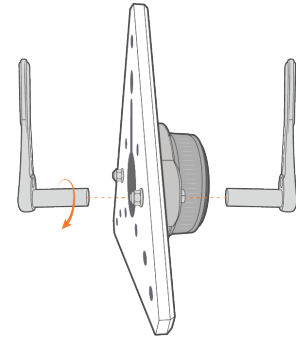


Figure 5: Tighten down the beacon.

- 4 Re-install the top plate using a 9/16" socket wrench to tighten down the bolts removed in the first step.

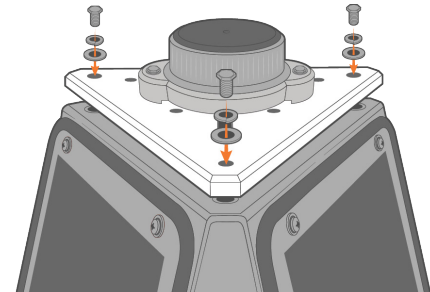


Figure 6: Re-install the top white plate.

Powering Off The Beacon

- 1 Whenever a beacon will be stored indoors for more than a day, it should be turned off to preserve battery.
 - a. Turn off the beacon by pointing the IR remote at the side of the beacon and holding down the power button for 4 seconds.
 - b. The beacon will illuminate brightly and gradually grow dimmer over a 2-3 second span.