

KIPP & ZONEN CMB1 BUOY MOUNT

INSTALLATION INSTRUCTIONS

NOTE: Installation of the mount and PAR sensor to the buoy solar tower will likely require two individuals for stability.

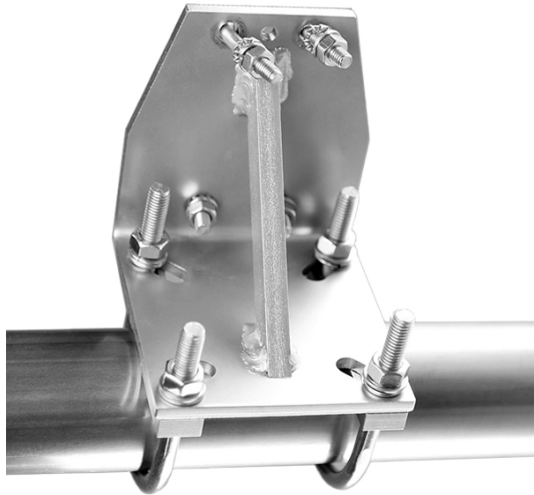


Figure 1: Kipp & Zonen CMB1 Buoy Mount.

Overview

The Kipp & Zonen CMB1 Buoy Mount provides a secure and level frame for the installation of an NR Lite 2 Terrestrial PAR sensor on NexSens CB-650, CB-950, and CB-1250 data buoys.

What's Included

- (1) Installation guide
- (1) CBM1 Mounting Bracket
- (3) V-blocks
- (2) M6 U-bolts
- (4) M6 flat washers
- (4) M6 lock washers
- (4) M6 nuts
- (1) M6 x 25 bolt
- (4) M8 U-bolts (varying sizes for mast connection)
- (4) M8 flat washers
- (4) M8 lock washers
- (4) M8 nuts

Sensor Installation on Mount

- 1 Align the bracket to face inward towards the center of the solar tower.
 - a. Insert (2) V-blocks between the bracket and tower with the notch on each block in contact with the rail.
- 2 Run the M8 U-bolts through the V-blocks and bracket from the outside.
 - a. Use the M8 flat washer, lock washer, nut, and a 13mm wrench or hex driver to secure the bracket.

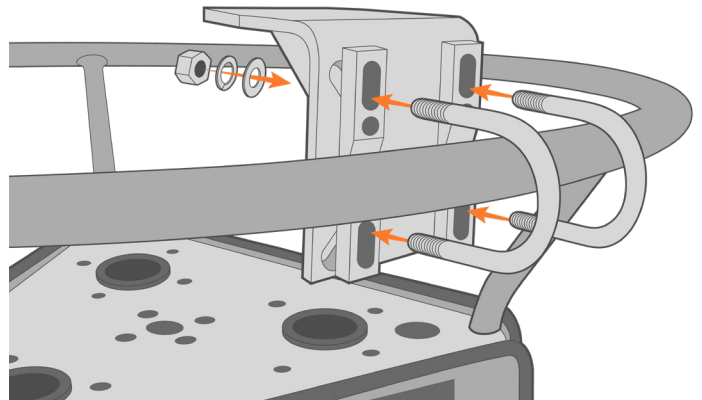


Figure 2: Secure the mount to the solar tower.

- 3 Set the remaining V-block on top of the mount nearest the railing with the notch facing upwards.
 - a. Orient the PAR sensor such that the disc extends outwards away from the tower.
 - b. The leveling fixture should be facing upwards.

- 4 Secure the PAR arm to the bracket using the smaller set of the (2) M6 U-bolts, flat washers, lock washers, and nuts.
- Thread the M6 bolt through the base of the mount opposite the V-block until it makes contact with the PAR arm.
 - Carefully adjust the M6 bolt to assist with leveling the PAR sensor disc.

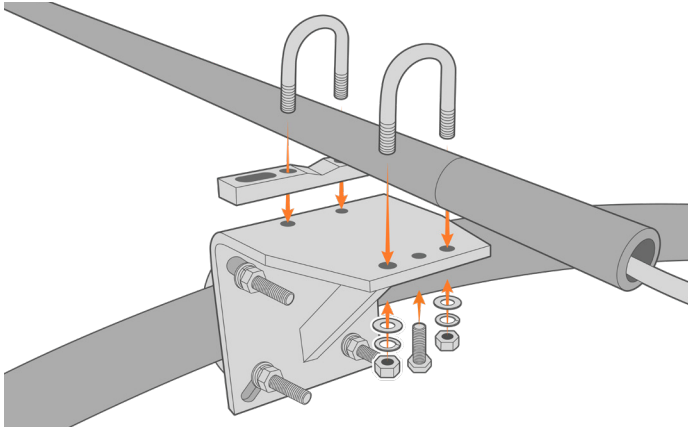


Figure 3: Secure the sensor to the mount.

- 5 Route the plug through the nearest hole on the solar tower.
- It is recommended to zip tie the cable to the solar tower and attach cable armor around the portion of the cable in contact with the tower opening.

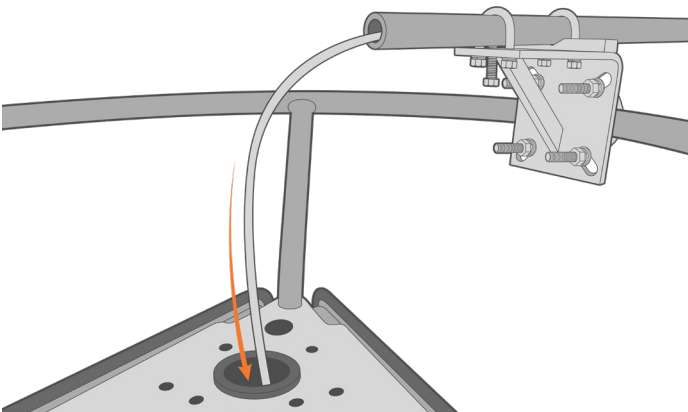


Figure 4: Route the sensor cable to the X2-CB logger.