

# CM-HYD HYDROCAT SENSOR MOUNT

## INSTALLATION GUIDE

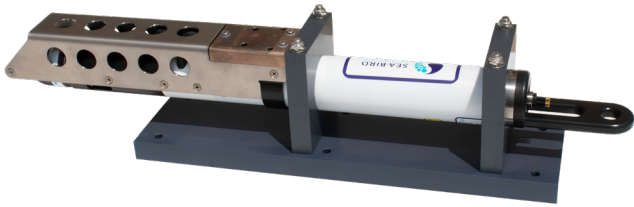


Figure 1: CM-HYD HydroCAT Sensor Mount

### Overview

The CM-HYD HydroCAT sensor mount allows the Sea-Bird Scientific HydroCAT CTD sensor to be securely attached to the instrument cage of a CB-Series data buoy system.

### What's Included

- (1) Cage mount bracket
- (2) 332 Silicon O-rings
- (4) Sensor mount brackets
- (4) 3/8-16 x 6-1/2" Hex head cap screws
- (4) 3/8-16 x 2" Hex head cap screws
- (8) 3/8-16 Nylon nuts
- (16) 3/8" Flat washers

### Installation on Buoy Instrument Cage

- 1 Insert the 6-1/2" hex head cap screws with a flat washer through the cage mount bracket and the bottom of the sensor mount brackets.

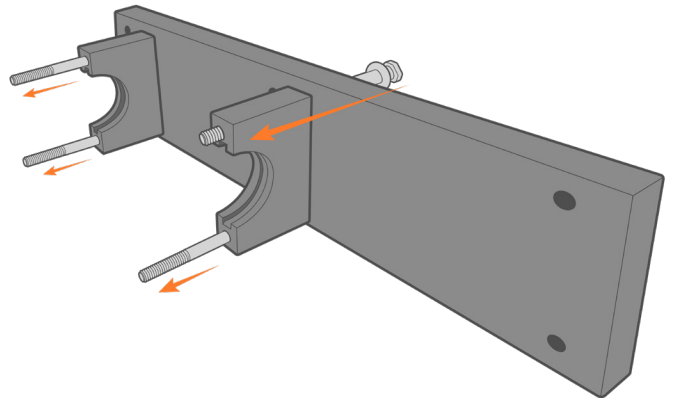


Figure 2: Install the bottom sensor mount brackets

- 2 Place the (2) 332 Silicon O-rings onto the HydroCAT CTD sensor.
  - a. Ensure to align the O-rings with the grooves in the bottom sensor mount brackets.

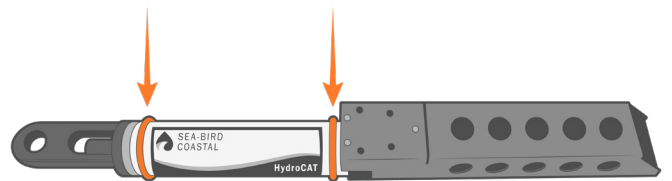
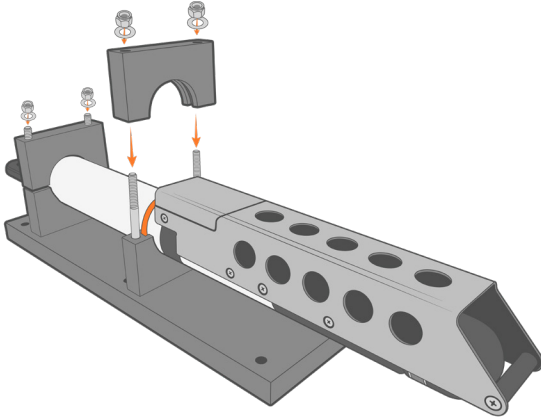


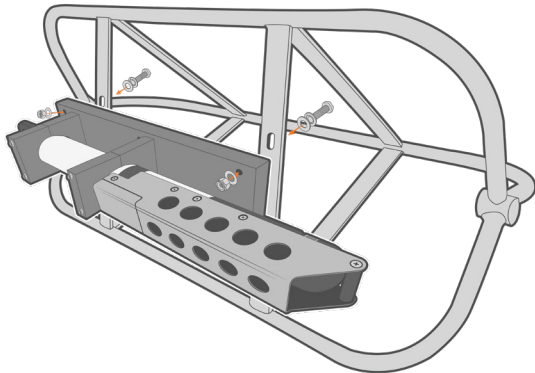
Figure 3: Space the O-rings out to align with the brackets

- 3 Install the top sensor mount brackets onto the other side of the 6-1/2" hex head cap screws with a flat and lock washer.
- Tighten using a 9/16" socket or hex driver.
  - Point the steel frame outwards as shown in the image.



**Figure 3:** Install the top sensor mount brackets

- 4 Use the available holes and the 3/8-16 x 2" Hex head cap screws, lock and flat washers, and nylon nuts to secure the mount to the cage.
- Tighten using a 9/16" socket or hex driver.



**Figure 4:** Secure the mount to the cage