

CM-500 CAGE MOUNT CLAMP

INSTALLATION INSTRUCTIONS

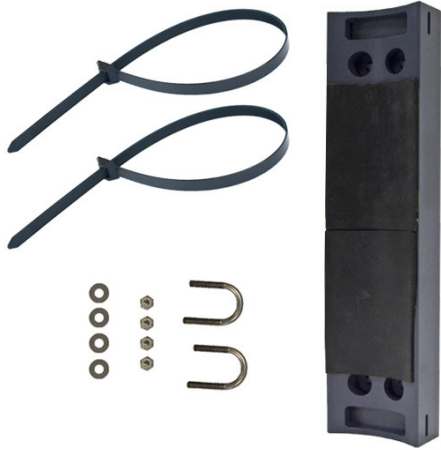


Figure 1: NexSens CM-500 Cage Mount Clamp.

Overview

The CM-500 cage mount clamp allows a NexSens X2-SDL submersible data logger, NexSens SBP500 submersible battery pack, or any 3rd party sensor to be securely attached to the instrument cage of a data buoy system.

What's Included

Mounting clamp hardware

- (1) CM-500 cage mount clamp
- Neoprene rubber strip
- (2) 1/4" U-bolts
- (4) 1/4" Washers
- (4) 1/4"-20 Nylon insert nuts
- (2) 22.2 Inch weather resistant zip-ties

Installation on Instrument Cage

- 1 Place the U-bolts onto a side of the instrument cage (Figure 2).
 - a. Insert them through the available slots on the top and bottom of the CM-500 clamp.

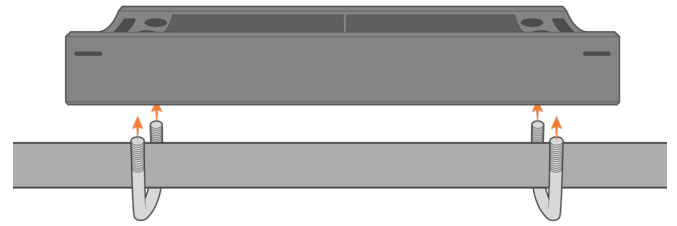


Figure 2: Mount the U-bolts and CM-500 clamp.

- 2 Place the 1/4" washers and nylon insert nuts onto the U-bolts and insert the (2) zip ties.
 - a. Tighten the nuts evenly using a 7/16" socket wrench.



Figure 3: Tighten the clamp to the instrument cage.

- 3 Place the instrument onto the clamp.
 - a. Firmly tighten the zip ties around the instrument. Ensure not to over-tighten.
 - b. *Note:* It is recommended to add an additional security strap between the instrument and instrument cage.

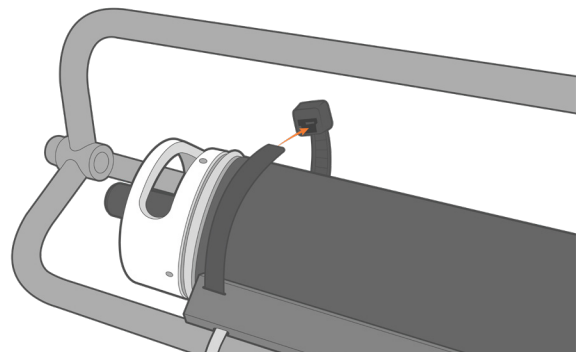


Figure 4: Install the instrument into the clamp.