

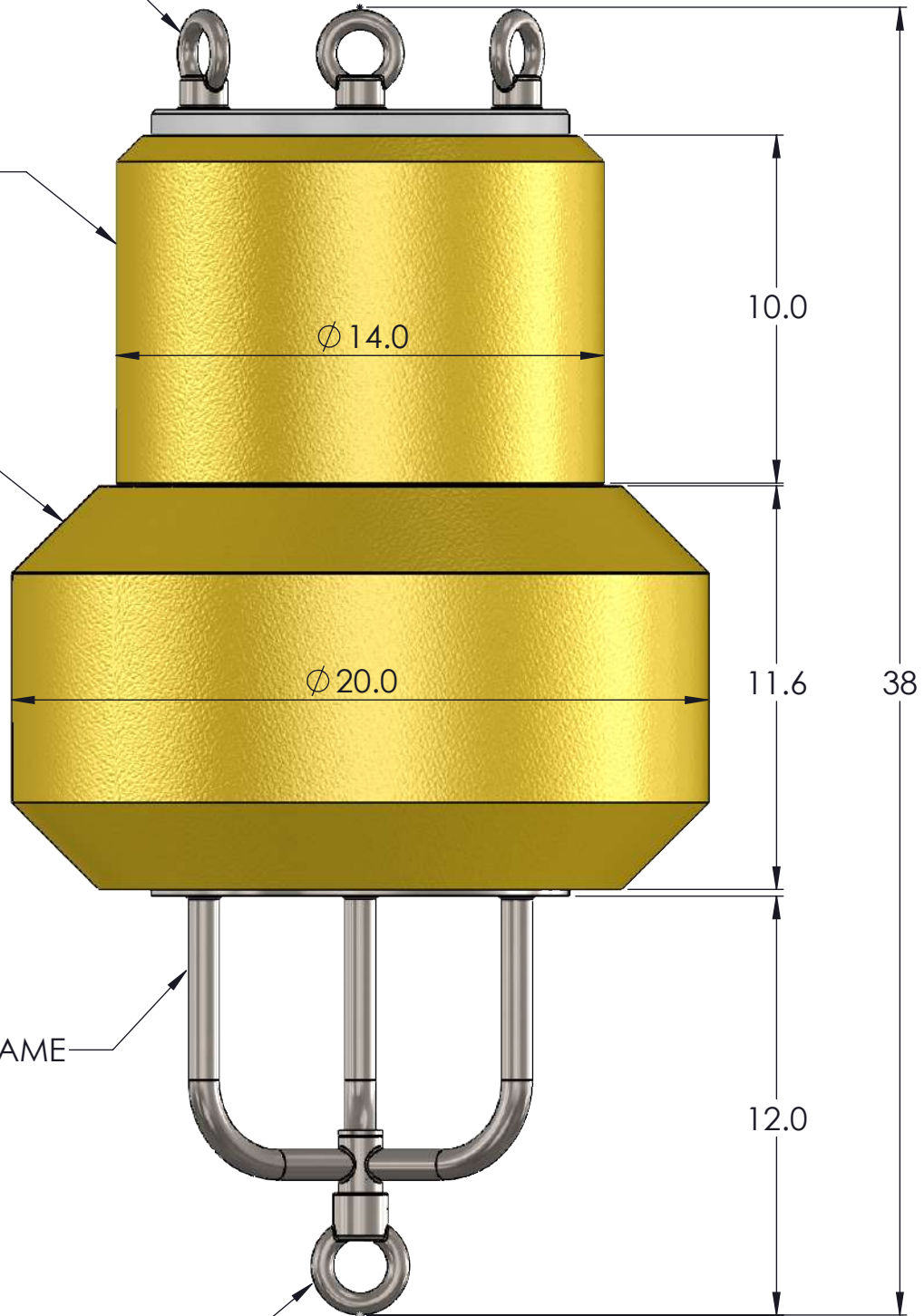
5/8" LIFTING EYE (3x)

BUOY TOWER

BUOY HULL

316SS FRAME

3/4" MOORING EYE



DRAWING DIMENSIONS IN INCHES

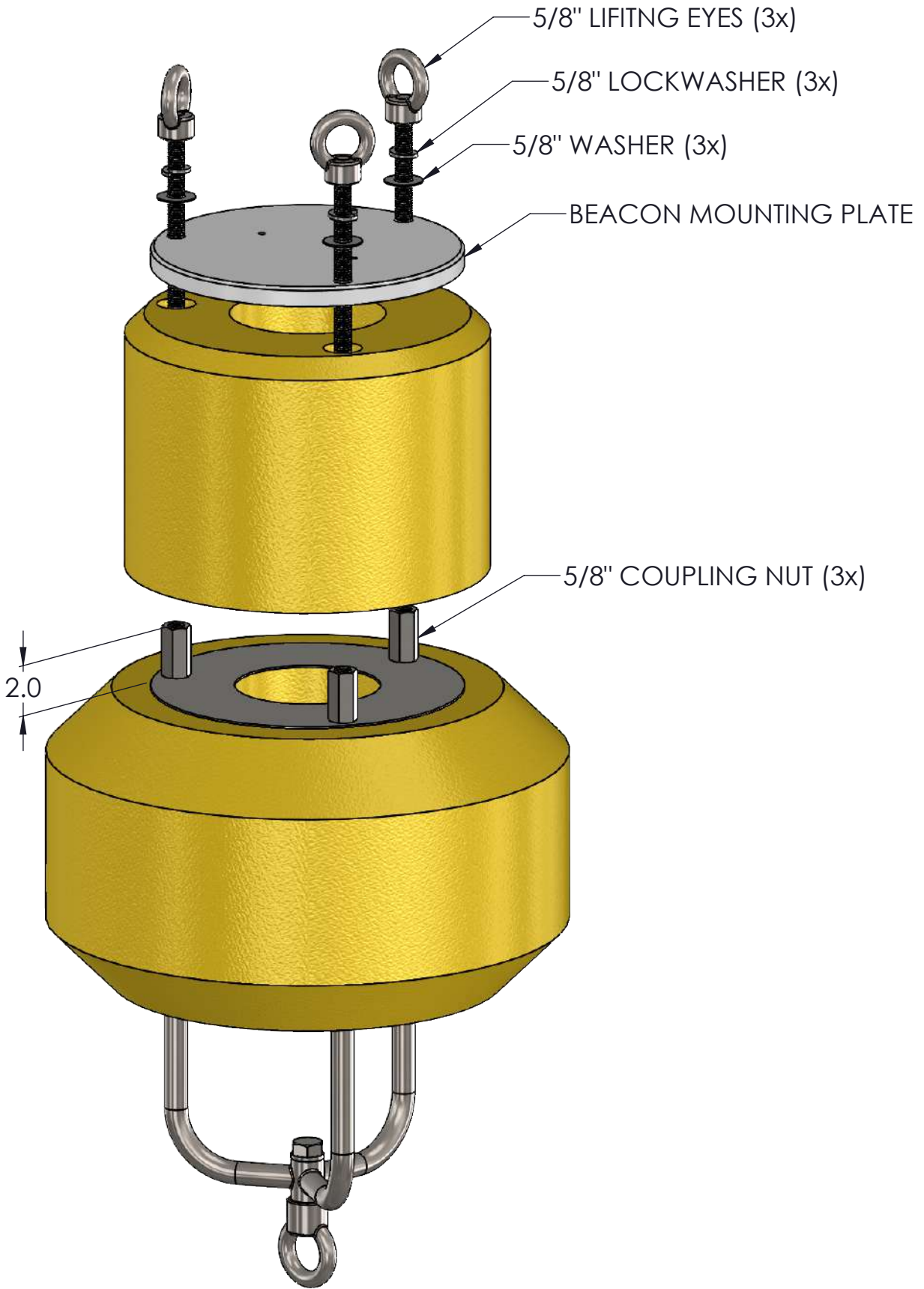
TITLE:
NEXSENS CB-50 DATA BUOY

DRAWING NUMBER:
NEX338

SHEET:
1 of 8

This drawing and the information thereon is the property of NexSens Technology
All unauthorized use and reproduction is prohibited. <www.NexSens.com>





DRAWING DIMENSIONS IN INCHES

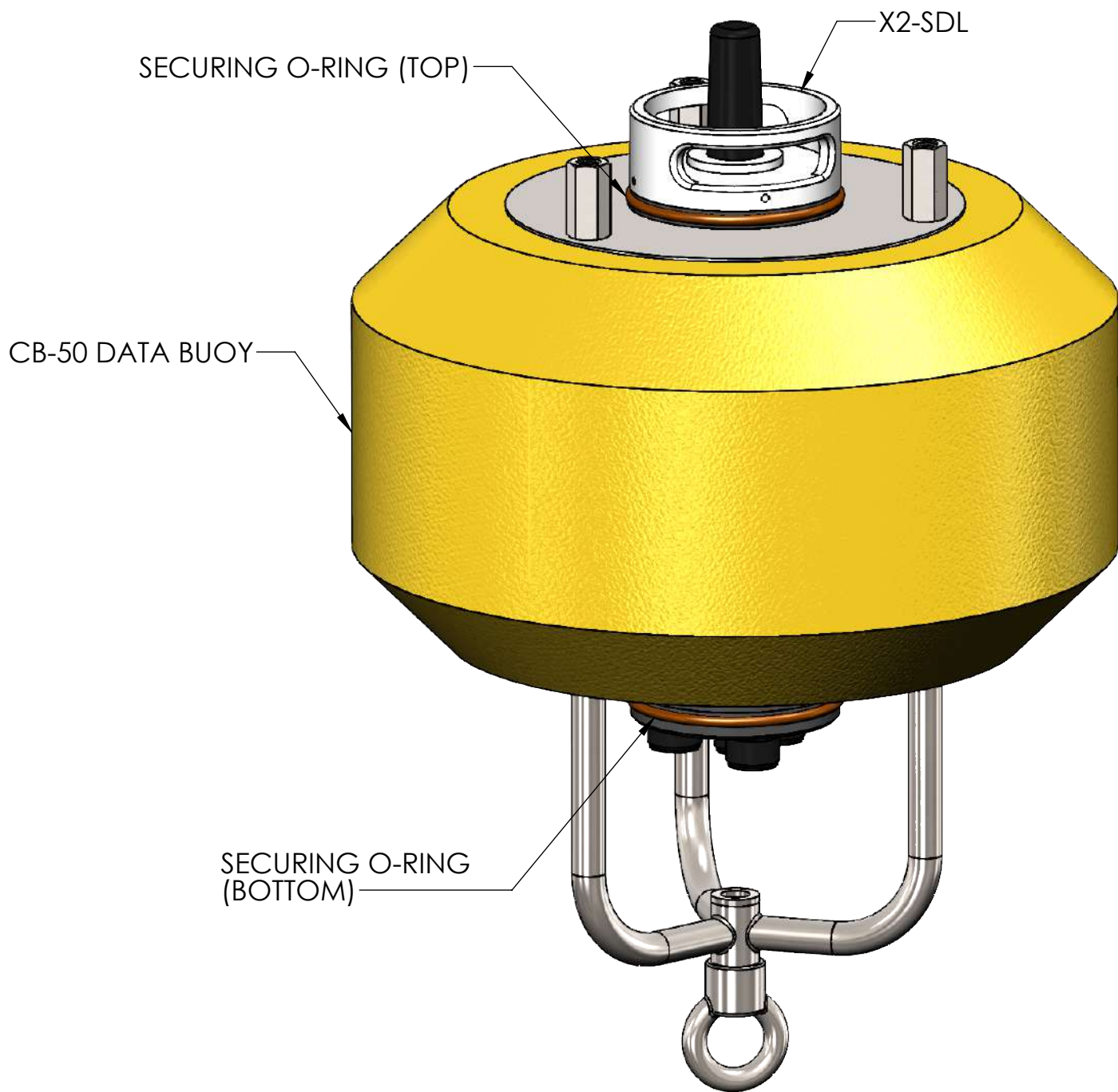
TITLE:
NEXSENS CB-50 DATA BUOY LID INSTALLATION

DRAWING NUMBER:
NEX339

SHEET:
2 of 8

This drawing and the information thereon is the property of NexSens Technology
All unauthorized use and reproduction is prohibited. <www.NexSens.com>





DRAWING DIMENSIONS IN INCHES

TITLE:
NEXSENS X2-SDL SUBMERSIBLE DATA LOGGER - CB-50 DATA BUOY

DRAWING NUMBER:
NEX397

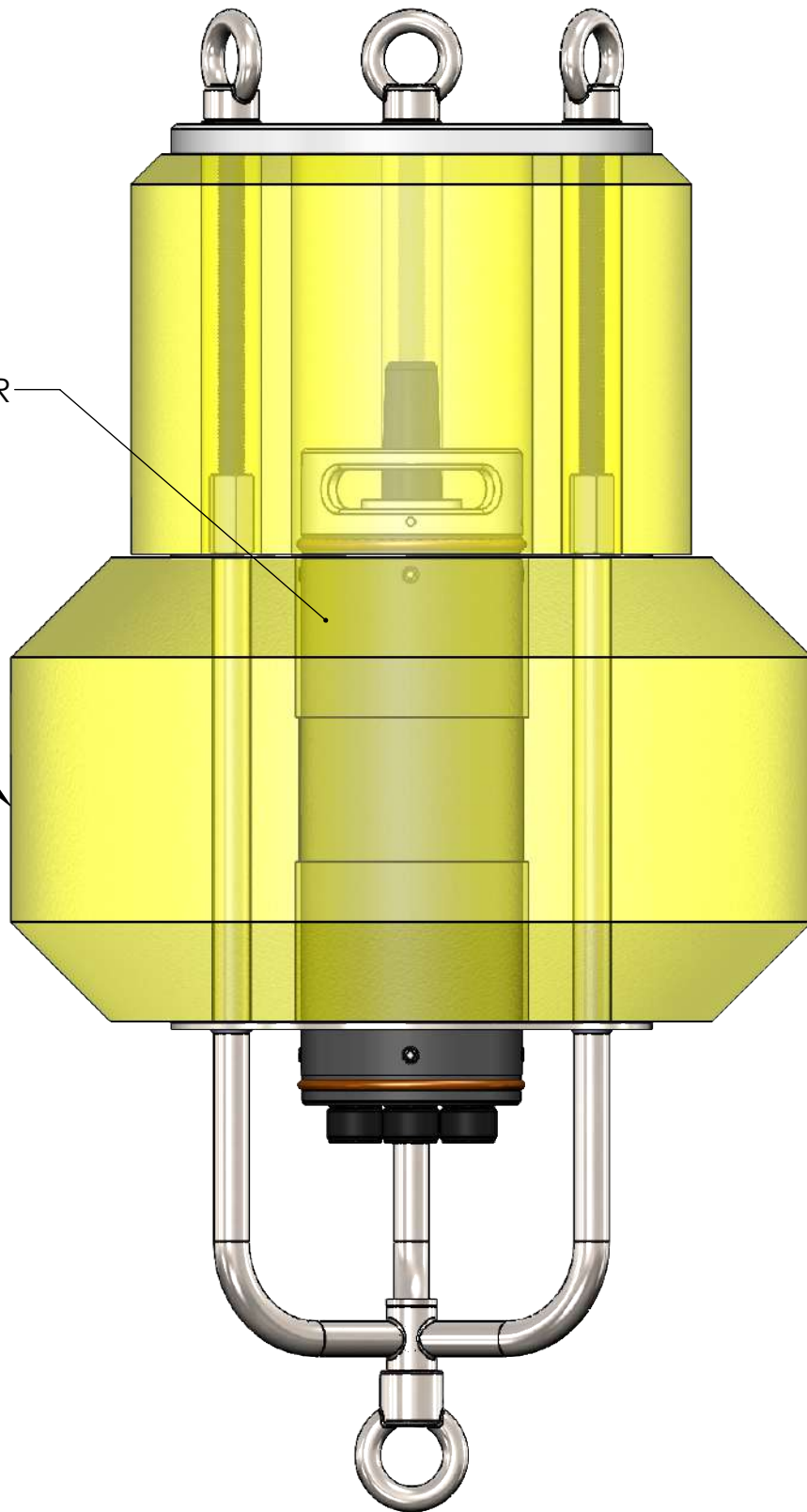
SHEET:
3 of 8

This drawing and the information thereon is the property of NexSens Technology
All unauthorized use and reproduction is prohibited. <www.NexSens.com>



X2-SDL DATA LOGGER

CB-50 DATA BUOY



DRAWING DIMENSIONS IN INCHES

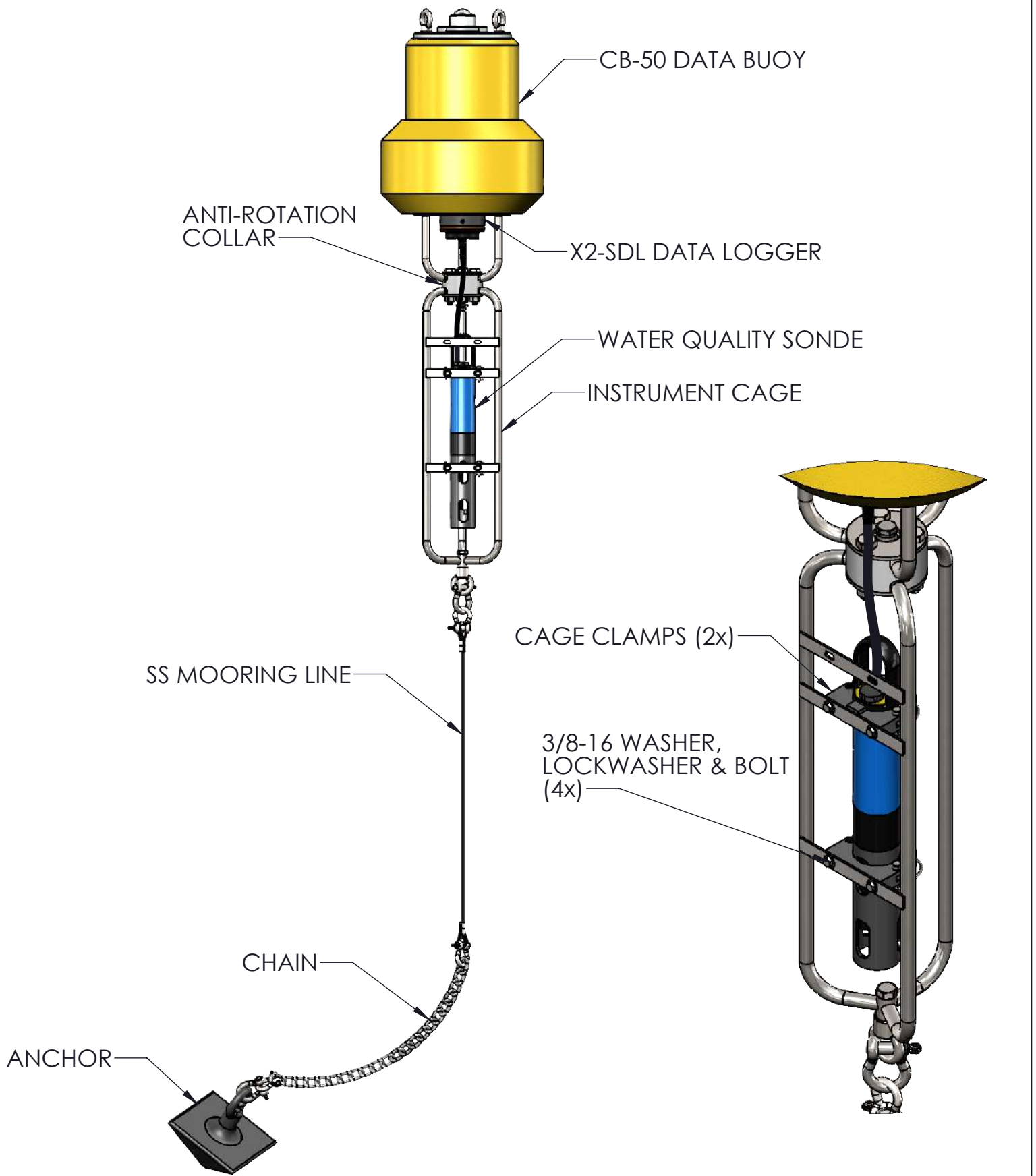
TITLE:
NEXSENS X2-SDL SUBMERSIBLE DATA LOGGER - CB-50 DATA BUOY

DRAWING NUMBER:
NEX398

SHEET:
4 of 8

This drawing and the information thereon is the property of NexSens Technology
All unauthorized use and reproduction is prohibited. <www.NexSens.com>





DRAWING DIMENSIONS IN INCHES

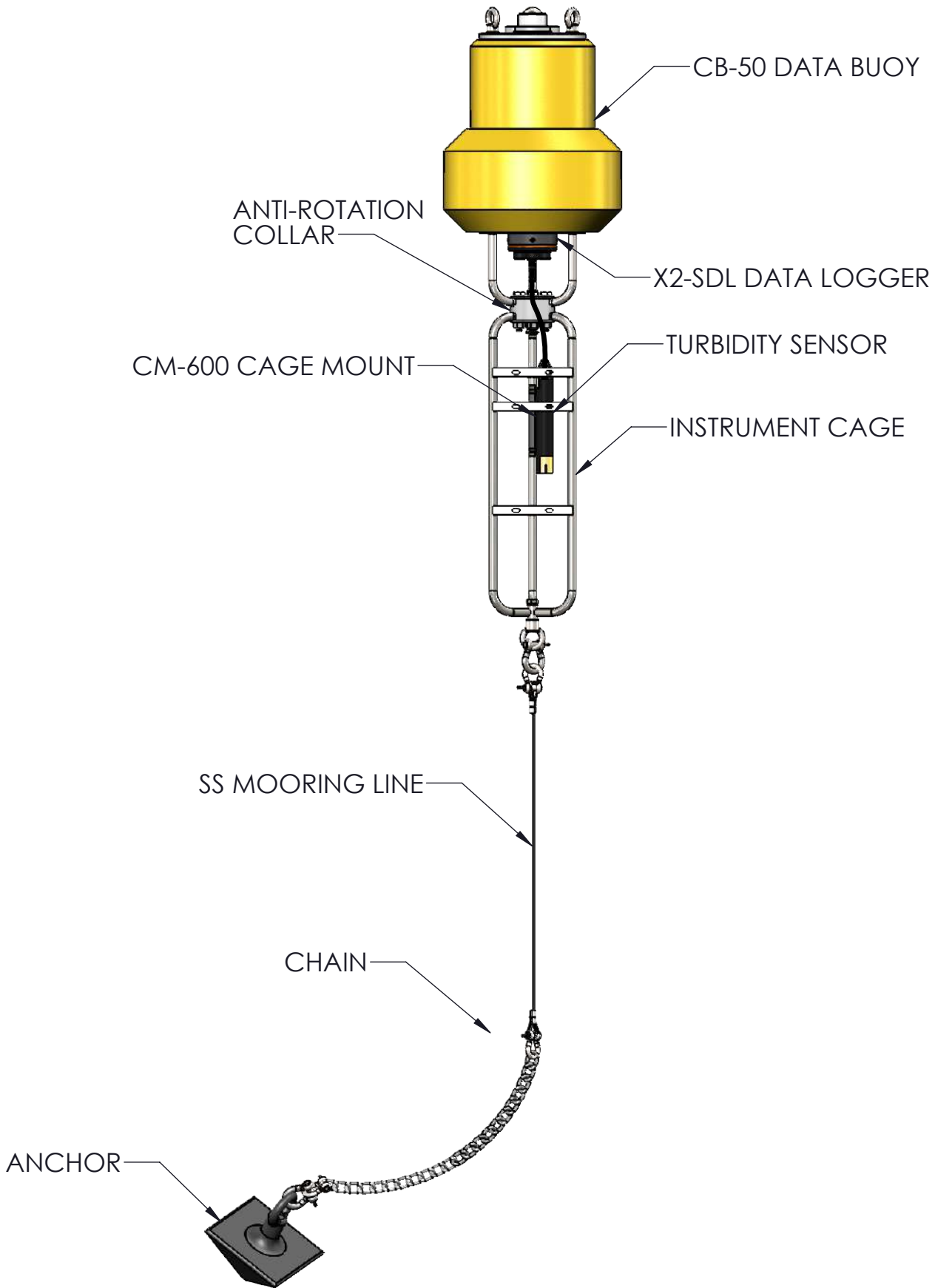
TITLE:
NEXSENS CB-50 DATA BUOY - TYPICAL WATER QUALITY MONITORING SYSTEM

DRAWING NUMBER:
NEX340

SHEET:
5 of 8

This drawing and the information thereon is the property of NexSens Technology
 All unauthorized use and reproduction is prohibited. <www.NexSens.com>





DRAWING DIMENSIONS IN INCHES

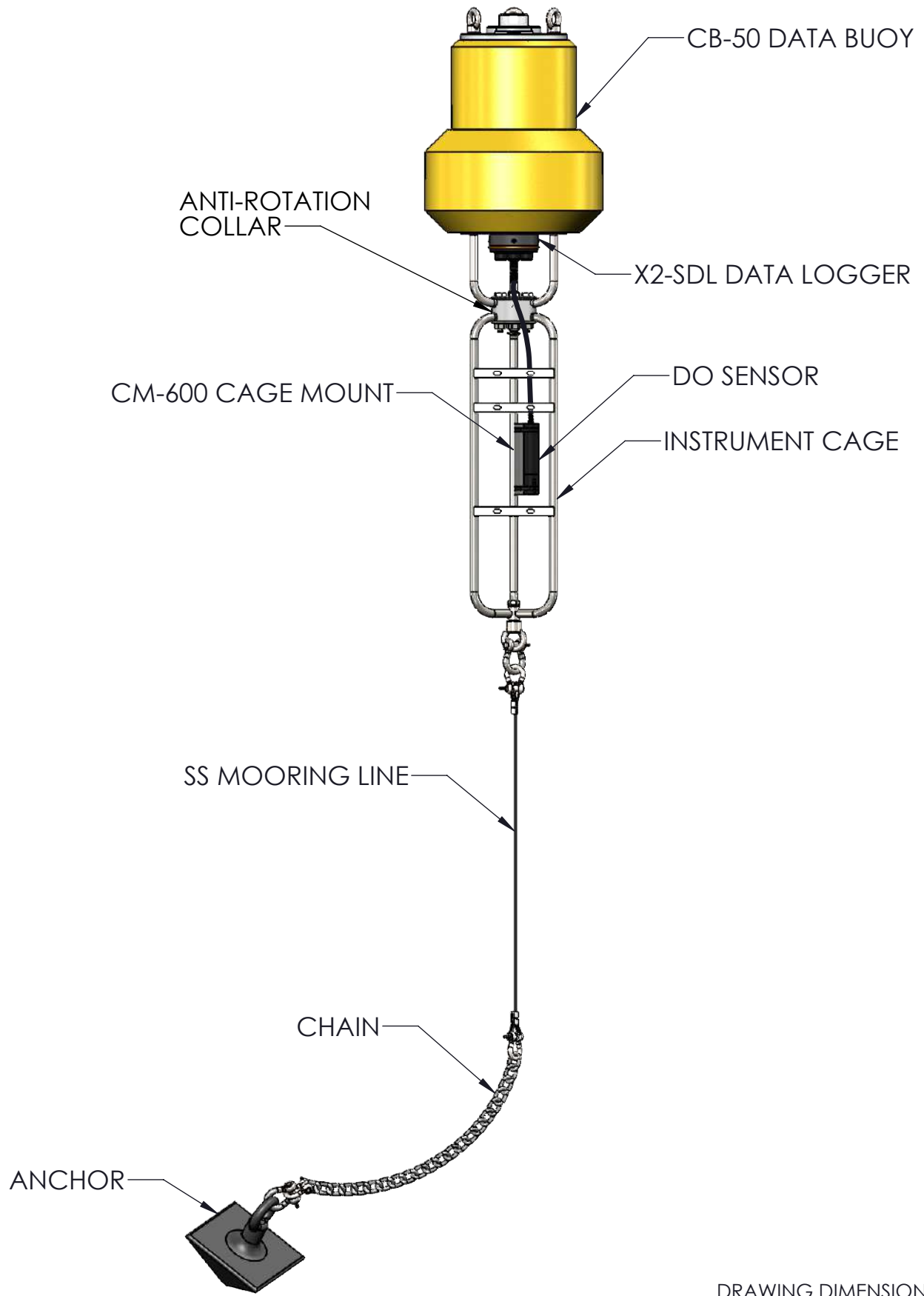
TITLE:
NEXSENS CB-50 DATA BUOY - TYPICAL TURBIDITY MONITORING SYSTEM

DRAWING NUMBER:
NEX341

SHEET:
6 of 8

This drawing and the information thereon is the property of NexSens Technology
 All unauthorized use and reproduction is prohibited. <www.NexSens.com>





DRAWING DIMENSIONS IN INCHES

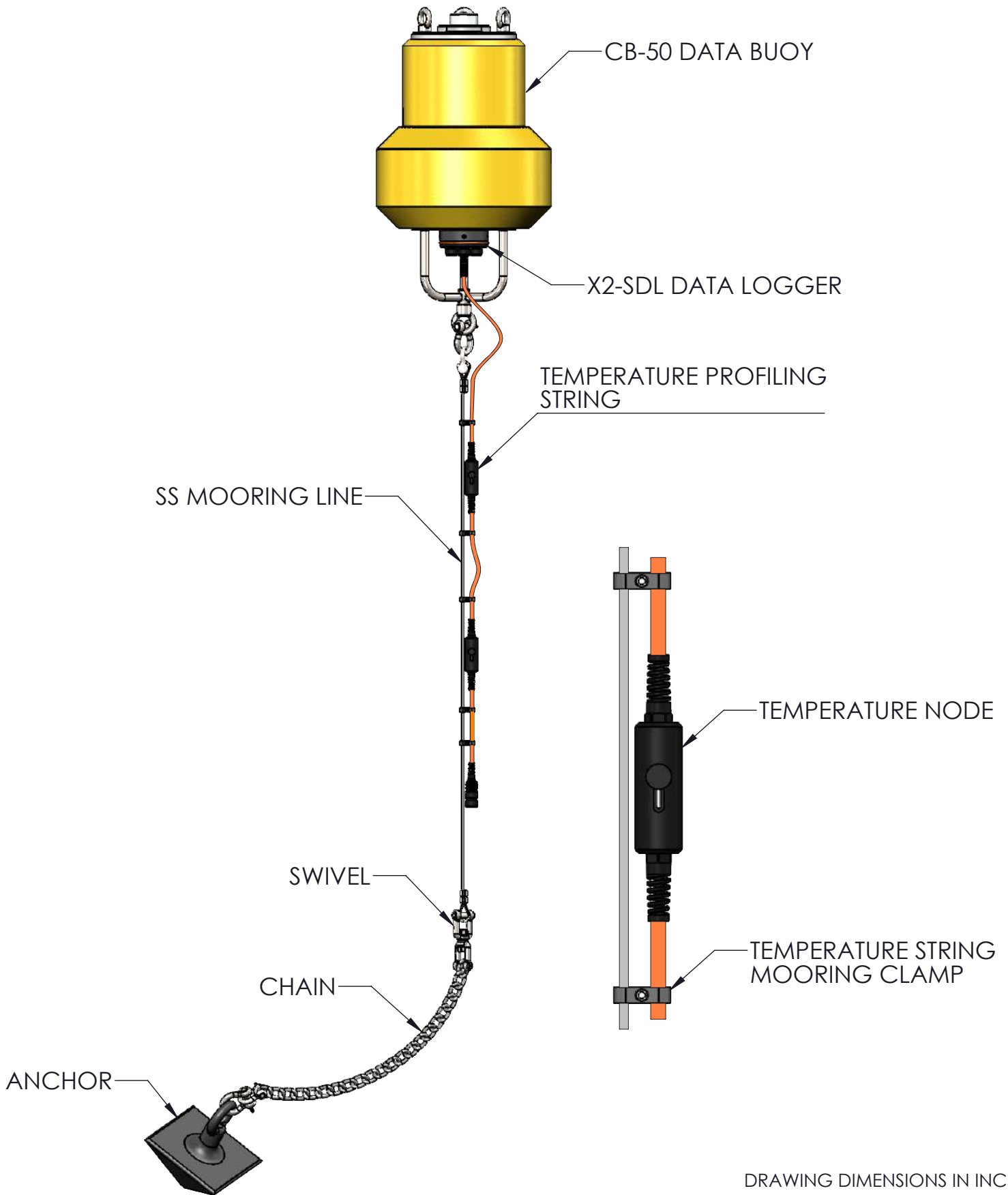
TITLE:
NEXSENS CB-50 DATA BUOY - TYPICAL DO MONITORING SYSTEM

DRAWING NUMBER:
NEX342

SHEET:
7 of 8

This drawing and the information thereon is the property of NexSens Technology
 All unauthorized use and reproduction is prohibited. <www.NexSens.com>





DRAWING DIMENSIONS IN INCHES

TITLE:
NEXSENS CB-50 DATA BUOY - TYPICAL TEMPERATURE PROFILING SYSTEM

DRAWING NUMBER:
NEX343

SHEET:
8 of 8

This drawing and the information thereon is the property of NexSens Technology
 All unauthorized use and reproduction is prohibited. <www.NexSens.com>

