

AIRMAR WEATHER STATION MOUNT

INSTALLATION INSTRUCTIONS FOR CB-450 AND SMALLER BUOY MODELS



Figure 1: CB-WX-M Airmar Weather Station Buoy Mount.

Overview

The NexSens Airmar Weather Station Buoy Mount provides a means of securely installing Airmar WX-Series weather sensors to a CB-Series data buoy. The mounts are lightweight to reduce the impact of top-side weight on buoy stability.

What's Included

CB-WX-M Parts

- (1) Bottom mounting adapter for solar tower
- (1) 1-ft. Antenna extension mast
- (1) 1/2" Oversized flat washer
- (1) 214 Silicone O-ring
- (1) 1/2" Split lock washer
- (1) 1/2-13 x 1-1/2" Hex cap bolt

Airmar Weather Station Accessories

- (1) Cable guide coupler
- (1) Airmar cable with threaded adapter
- (1) Airmar weather station

CB-WX-M Installation on Buoy Solar Tower

- 1 Use a 9/16" socket to remove the white top plate from the buoy's solar tower.

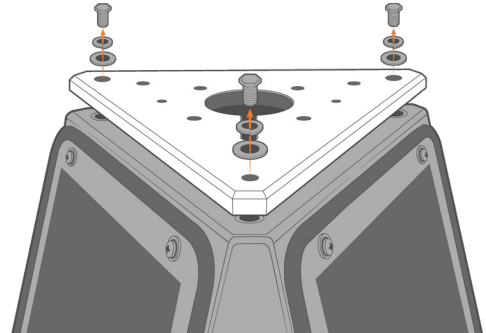


Figure 2: Solar tower top plate removal.

- 2 Use a 3/4" socket to remove the 1-1/2" bolt, lock washer, and oversized washer from the base of the mast mounting adapter.
 - a. Insert the 1-1/2" bolt, lockwasher, and oversized washer through a vacant mounting hole on the plate.
 - b. Thread the adapter onto the bolt on the opposite side of the plate and tighten using the 3/4" socket.

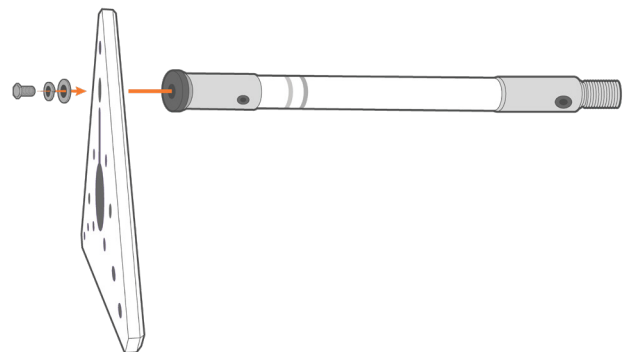


Figure 3: Mast attachment to solar tower plate.

- 3 Thread the cable guide coupler from the Airmar accessories onto the mast.

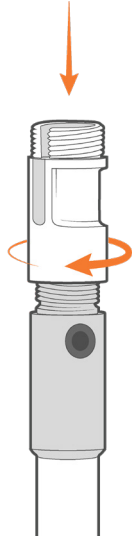


Figure 4: Attach the cable guide coupler.

- 4 Route the Airmar cable through the cable guide coupler and thread on the adapter.

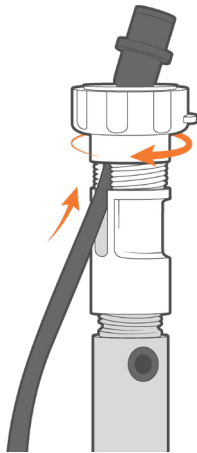


Figure 5: Attach the Airmar cable assembly.

- 5 Connect the sensor cable to the Airmar weather station and tighten the top of the adapter onto the base of the Airmar.
- a. Ensure the Airmar does not rotate while threading on the adapter.

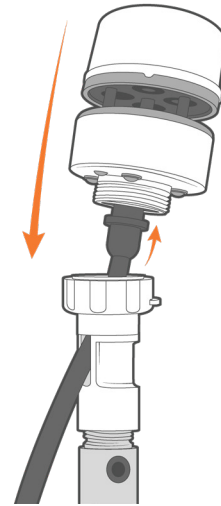


Figure 6: Plug in the Airmar cable.

- 6 Route the plug through the center hole on the plate and move the cable within the open groove extending from the center hole.
- a. It is recommended to zip tie the cable to the mount and provide cable armor around the portion of the cable in contact with the open groove.

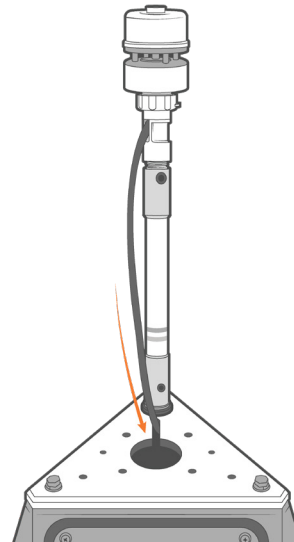


Figure 7: Route the Airmar cable to the X2-CB logger.

AIRMAR WEATHER STATION MOUNT

INSTALLATION INSTRUCTIONS FOR CB-650 AND LARGER BUOY MODELS



Figure 1: CB-WX-M Airmar Weather Station Buoy Mount.

Overview

The NexSens Airmar Weather Station Buoy Mount provides a means of securely installing Airmar WX-Series weather sensors to a CB-Series data buoy. The mounts are lightweight to reduce the impact of top-side weight on buoy stability.

What's Included

CB-WX-M Parts

- (1) Bottom mounting adapter for solar tower
- (1) 1-ft. Antenna extension mast
- (1) 1/2" Oversized flat washer
- (1) 214 Silicone O-ring
- (1) 1/2" Split lock washer
- (1) 1/2-13 x 1-1/2" Hex cap bolt

Airmar Weather Station Accessories

- (1) Cable guide coupler
- (1) Airmar cable with threaded adapter
- (1) Airmar weather station

CB-WX-M Installation on Buoy Solar Tower

- 1 Thread the extension mast onto the pre-mounted base on the solar tower.

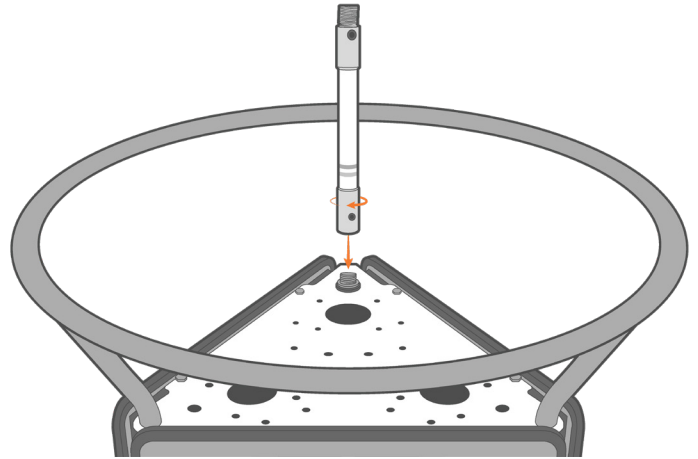


Figure 2: Attach the extension mast onto the solar tower.

- 2 Thread the cable guide coupler from the Airmar accessories onto the mast.

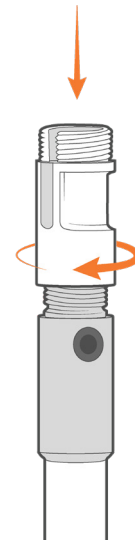


Figure 3: Attach the cable guide coupler.

- 3 Route the Airmar cable through the cable guide coupler and thread on the adapter.

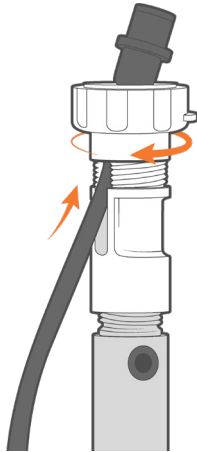


Figure 4: Attach the Airmar cable assembly.

- 4 Connect the sensor cable to the Airmar weather station and tighten the top of the adapter onto the base of the Airmar.
- Ensure the Airmar does not rotate while threading on the adapter.

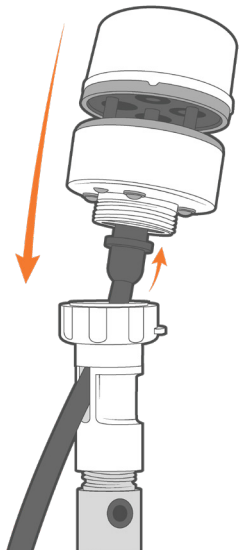


Figure 5: Plug in the Airmar cable.

- 5 Route the plug through the nearest hole on the solar tower.
- It is recommended to zip tie the cable to the mount and provide cable armor around the portion of the cable in contact with the open hole.

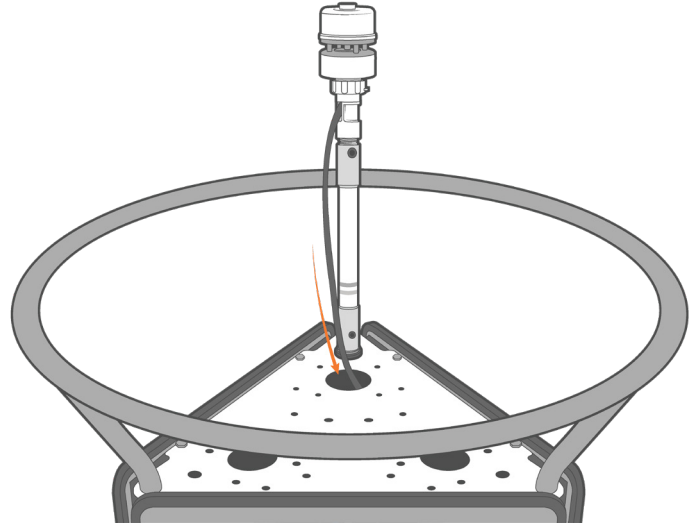


Figure 6: Route the Airmar cable to the X2-CB logger.