

CB-25

DATA BUOY

- Compact and easy to deploy
- 4G cellular or Iridium satellite telemetry
- Supports a variety of environmental sensors
- Autonomous battery & solar power
- Rugged polymer-coated foam hull



The **CB-25** Data Buoy is a compact, affordable, and easy to deploy platform for both water and atmospheric observations. At 18" hull diameter and 22 lb. (9.98kg) weight, it can be used for drifting, tethering or mooring applications. The buoy integrates the **X2-SDLMC** Submersible Data Logger, which includes external sensor ports to support weather stations, thermistor strings, multi-parameter sondes, Doppler current profilers, GPS, and other monitoring instruments.

Constructed of an inner core of cross-linked polyethylene foam with a tough polyurea skin, the **CB-25** is designed for years of service. A rechargeable battery with integrated solar panels power the system continuously, and all electronics are housed in a quick-removable **X2-SDLMC** data logger package with wet-mate connectors. Three 1.5" pass-through holes facilitate cable routing of underwater sensors.

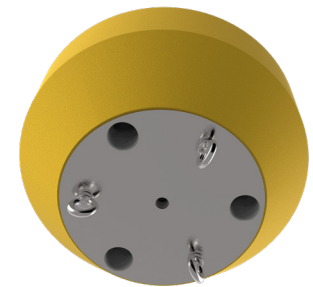
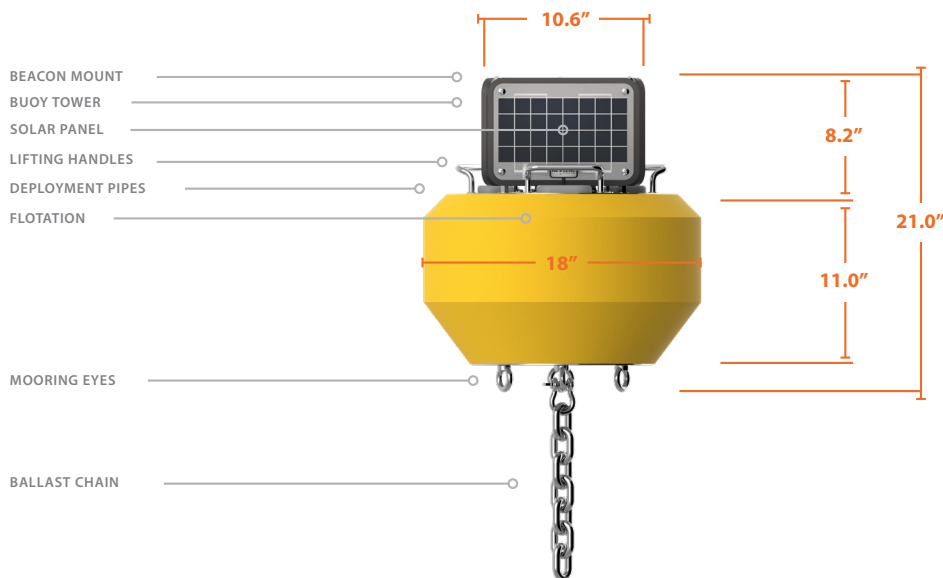
Available with integrated 4G cellular or Iridium satellite communications, the **CB-25** buoy sends data in real-time to the cloud-based **WQData LIVE** datacenter. In a basic configuration, this free service allows users to securely access and analyze data, as well as share data through an API or auto-report. Subscription-based tiers of **WQData LIVE** are also available for advanced reporting, alarming, and data management.

CB-25

DATA BUOY

specifications

| | |
|----------------------------|--|
| Hull Outer Diameter | 18" (45.72cm) |
| Hull Height | 11" (27.94cm) |
| Center Hole Inner Diameter | 5.5" (13.97cm) |
| Center Hole Height | 11" (27.94cm) |
| Pass-Through Hole Diameter | 1.5" (3.81 cm) |
| Tower Height | 8.2" (20.83cm) |
| Solar Panels | 3x 4-watts |
| Weight | 22 lb (9.98kg) |
| Net Buoyancy | 50 lb (22.68kg) |
| Hull Material | Cross-linked polyethylene foam with polyurea coating & stainless steel deck |
| Hardware Material | 316 stainless steel, 304 stainless steel (lifting handles); Galvanized steel (ballast chain) |
| Mooring Attachments | 4x 3/8" eye nuts |



parts list

| Part # | Description |
|-----------------|---|
| CB-25 | CB-25 data buoy for use with X2-SDLMC & X2-SVS data loggers, 25 lb. buoyancy |
| X2-SDLMC | X2-SDLMC submersible data logger |
| X2-SDLMC-C-2G3G | X2-SDLMC submersible data logger with 2G/3G cellular telemetry |
| X2-SDLMC-C-NA4G | X2-SDLMC submersible data logger with North American 4G LTE cellular telemetry |
| X2-SDLMC-C-CATM | X2-SDLMC submersible data logger with CAT-M1/NB2 LTE cellular telemetry |
| X2-SDLMC-I | X2-SDLMC submersible data logger with Iridium satellite telemetry |
| M550-F-Y | Solar marine light with flange mount & 1-3 nautical mile range, 15 flashes per minute, yellow |
| MCIL6MP-USB-DC | Direct connect USB PC cable with external 12VDC power leads, X2-SDLMC & X2-SVS |



tel: **937.426.2703**
8am to 7pm EST, Monday-Friday

fax: **937.426.1125**

NexSens Technology, Inc.
2091 Exchange Court
Fairborn, OH 45324
info@nexsens.com

nexsens.com