

# EXO CAGE

## INSTALLATION INSTRUCTIONS



**Figure 1:** NexSens EXO cage.

### Overview

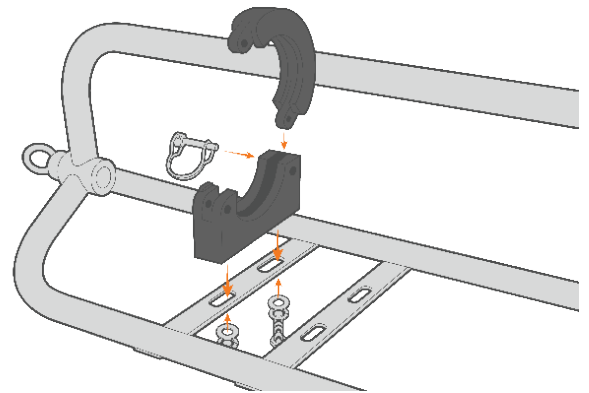
The NexSens EXO sonde mooring cage provides a secure and convenient means of deploying a YSI EXO multi-parameter water quality sonde. Follow the instructions to secure the sonde properly within the mooring cage. Ensure to review the backup tethering information in step 5.

### What's Included

EXO Mounting clamp hardware

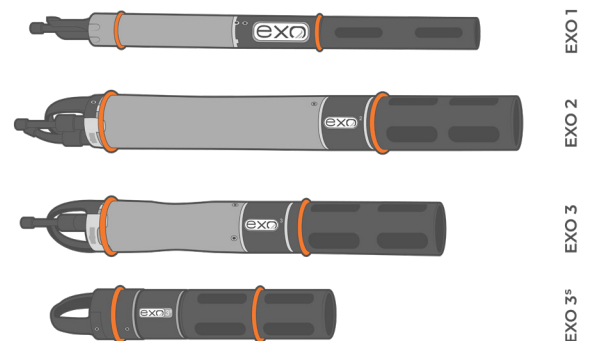
- (1) EXO sonde cage w/ cross members
- (2) Cage mounts
- (2) Cage clamps
- (4) 3/8-16 x 1" Hex head cap screws
- (4) 3/8" split lock washers
- (4) 3/8" flat washers
- (4) Clevis pins w/ locking retainer
- (2) Silicone o-rings

- 1 Mount the top clamp (contains indexing key) to one of the brackets closest to the cage eye nut.
  - a. For EXO 2 and 3 sonde models, the clamp must be at the top bracket. The EXO 1 can be located on either bracket.
  - b. Use the two bolts, lock washers and flat washers to mount the base of the clamp. Then use the clevis pin to attach the top.



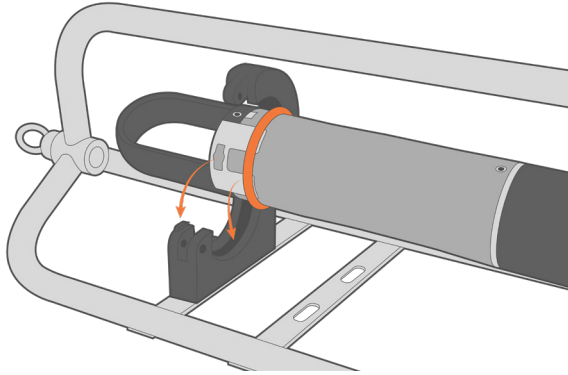
**Figure 2:** Mount the EXO sonde clamps onto the cage.

- 2 Install the included O-rings onto the sonde body.
  - a. Approximate spacing for each model is shown below.
  - b. Placement of the O-rings must align with the clamps on the cage.



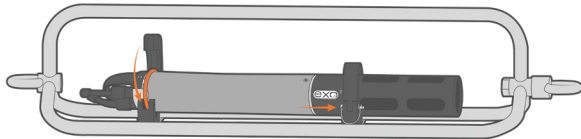
**Figure 3:** Approximate O-ring placement on EXO sonde models for EXO cage clamps.

- 3 Remove the clevis pins from each clamp.
  - a. Place the EXO sonde into the clamps and align the O-rings with the clamp grooves.
  - b. For EXO 2 and EXO 3 sonde models, mate the recess of the sonde bulkhead with the indexing key located on the upper clamp of the EXO cage.



**Figure 4:** Align the top O-ring and EXO recess with the indexing key on the top clamp.

- 4 Push down on the top of each clamp and re-install the clevis pins.
  - a. Pull on the sonde to ensure no movement occurs while locked into the clamps.



**Figure 5:** Close the clamps to secure the sonde within the cage.

- 5 It is recommended to attach a backup tether from the loop on top of the sonde to (1) of the (3) 3/8" bottom mounted buoy eyenuts for added security during deployment.
  - a. Additionally, it is recommended to utilize the cable grip included with YSI EXO field cables.