

AQUADOPP MOORING CAGE

INSTRUCTIONS



Figure 1: NexSens Aquadopp ADCP Mooring Cage.

Overview

The NexSens Aquadopp ADCP Mooring Cages provide a secure and convenient means of deploying a Nortek Aquadopp acoustic Doppler current meter or profiler.

What's Included

Mounting hardware

- (1) Aquadopp cage
- (1) 3/4-10 x 4-1/2 Hex head cap bolts
- (1) 1/8" x 1-1/4" Cotter pin
- (1) 3/4-10 Slotted hex nut
- (2) 3/4" Eye nuts
- (2) 3/4-10 x 3" Hex head cap bolts
- (4) 3/8-16 Nylon-insert lock nuts
- (4) 3/8-16 x 5" Hex head cap bolts
- (4) Aquadopp clamps
- (8) 3/8" Flat washers

Aquadopp Installation

- 1 One at a time, place the mounting clamp brackets on the outside of the cage brace.
 - a. Orient the deeper groove of the brackets towards the cage bolt.
 - b. For each clamp, feed the (2) hex cap bolts, each with a fender washer, from the inside of the cage through the brace and clamp bracket slots.

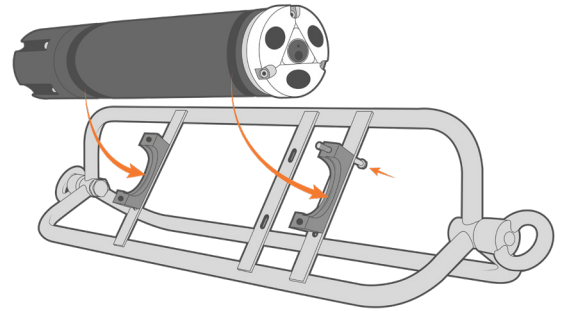


Figure 2: Attach the clamps to the cage and align the grooves on the aquadopp and cage clamps.

- 2 Align the indexing key on each side of the sensor with the grooves on the inside of each bracket.
 - a. Verify it fits firmly into the keyed recess before sliding the upper clamp piece over top.

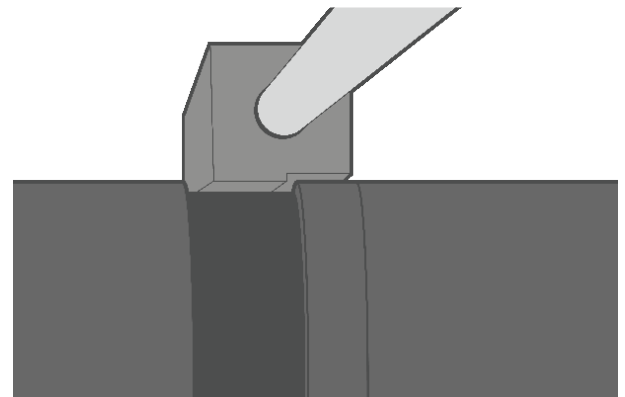


Figure 3: Align the grooves on the aquadopp sensor and clamp.

- 3 Place a fender washer and nylon nut on each bolt.
 - a. Tighten loosely using a 9/16" socket wrench or hex driver.

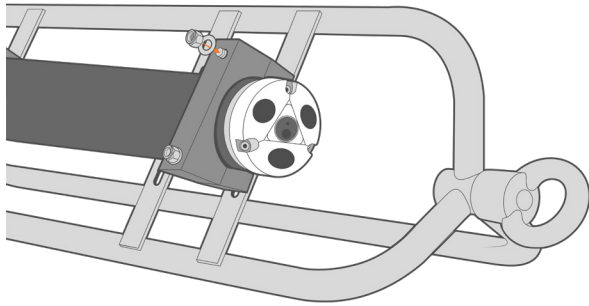


Figure 4: Tighten down the top clamp loosely on each bracket for future alignment.

- 4 Check the position of the sensor head relative to the cage.
 - a. Rotate the Aquadopp within the mount as necessary to keep the beam paths from intersecting the cage.
 - b. Fully tighten down all four clamps using a 9/16" socket wrench or hex driver.
- 5 It is recommended to run a backup tether from the sensor to the cage in the event of an incidental clamp release.