

# BAL-x CB-SERIES BALLAST WEIGHT

## INSTALLATION INSTRUCTIONS



Figure 1: NexSens BAL-x CB-Series Ballast Weight Assembly.

### Overview

The NexSens BAL-x CB-Series Ballast Weight Assembly can be added to the bottom of any CB-Series data buoy when additional counter-ballast is needed.

### What's Included

- (1) Threaded rod assembly with 3/4" eye nut
- Dumbbell Bumper(s) (Depending upon model)
- (1) 3/4" split lock washer
- (1) 1-1/4" Cotter pin
- (2) Ballast washers
- Ballast sleeves
- (1) Slotted castle nut
- (2) Flat washers

### BAL-x Installation

- 1 Remove the cotter pin, nut and lock-washer from the bottom side of the BAL-x.
  - a. Insert the threaded rod assembly through the BAL-x and the bottom of the instrument cage or buoy frame.

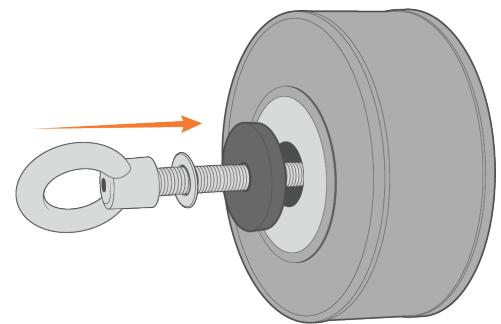


Figure 2: Insertion of threaded rod through BAL-x and cage or buoy frame.

- 2 Add the removed lock washer and nut to the portion of the threaded rod on the inside of the cage or buoy frame.
  - a. Ensure the ballast washer and flat washer are on the opposite side of the lock washer and nut.

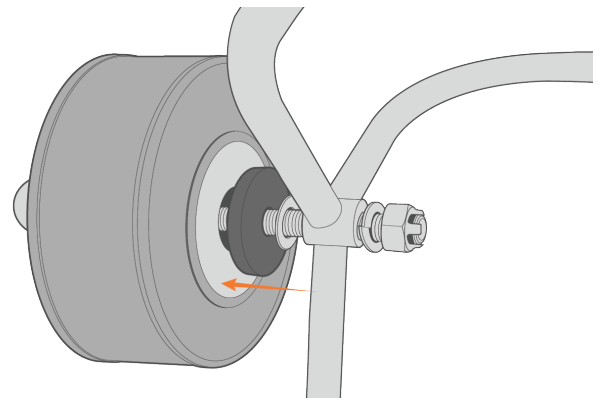
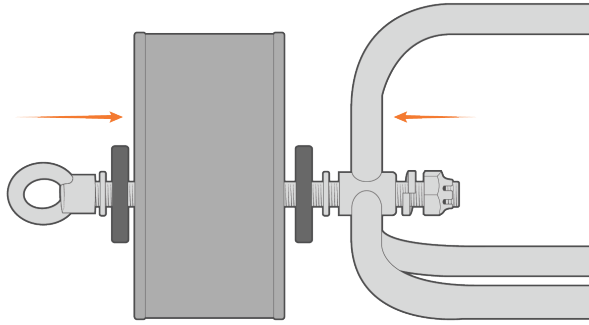


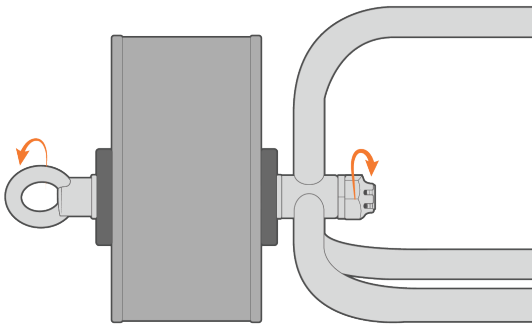
Figure 3: Secure BAL-x connection with the buoy frame or cage.

- 3 Push the BAL-x towards the cage or buoy frame until the flat washer at the bottom of the weight is flush against the cage or frame.



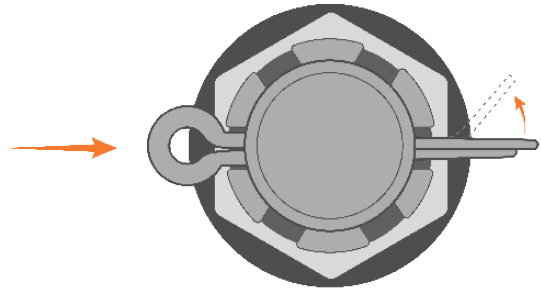
**Figure 4:** Contact between BAL-x and buoy frame or cage.

- 4 Tighten the nut onto the threaded rod using wrenches on each side.
- a. Turn the nut to the right, while stabilizing the eye nut that is welded to the threaded rod.



**Figure 5:** Tighten connection between BAL-x and buoy frame or cage.

- 5 Run the cotter pin through the hole at the end of the threaded rod.
- a. Bend the long leg around one of the ridges on the castle nut.



**Figure 6:** Bend the long leg of the cotter pin.