

91x-M BUOY DEPLOYMENT PIPES

INSTALLATION GUIDE



Figure 1: Buoy Deployment Pipe Assembly

Overview

Deployment pipe extensions are easily fitted to the built-in sensor deployment pipes on CB-series buoys to provide extra protection for sensitive monitoring equipment. The 912M deployment pipe is a 2" Schedule 80 PVC pipe section that attaches to the sensor pass-throughs of the CB-150 data buoy. The 914M deployment pipe is a 4" Schedule 80 PVC pipe section for use with CB-250 and CB-450 buoys. The 916M is used with the CB-950 buoys using a 6" to 4" reducer. The 918M is used with the CB-1250 buoys using an 8" to 4" reducer. The bottoms of the deployment pipes are fitted with a stop bolt to keep sensors in place.

What's Included

- (1) 4" W x 35.5" L deployment pipe
- (1) 4" PVC threaded adapter (pre-installed)
- (2) Stainless steel hex nuts
- (1) Stainless steel hex head bolt

Deployment Pipe Installation on Buoy

- 1 Locate the three threaded couplings underneath the buoy.
 - a. For 2-point mooring setups, locate the coupling that is perpendicular to the bottom eye-nuts. Use this coupling to avoid interference with the mooring lines.

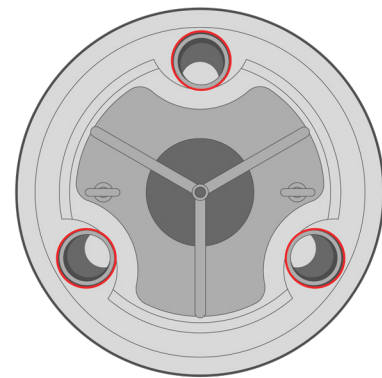


Figure 2: Locate the proper coupling.

- 2 Align the threaded connector on the deployment pipe assembly with one of the bottom couplings.
 - a. Stabilize the pass-through tube cover on top of the buoy to avoid rotating the entire pass-through tube while tightening.
 - b. Rotate clockwise until fully tight.

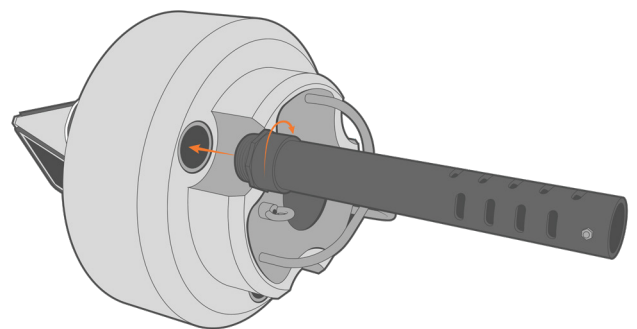


Figure 3: Install the buoy deployment pipe.

- 3 Remove the cover on the pass-through tube using a 5/16" allen wrench.

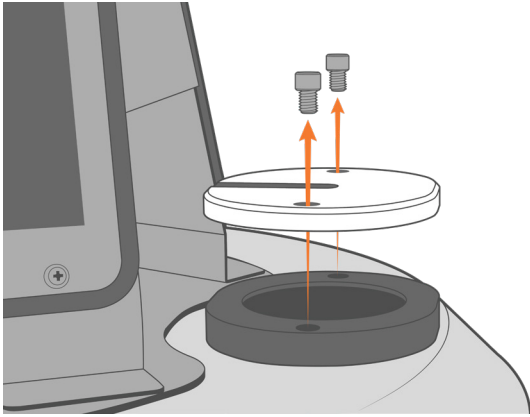


Figure 4: Remove the pass-through tube cover.

- 4 Ensure the sensor that will be inserted into the deployment pipe contains a guard to protect the probes, wiper, and any optics.
- Connect the sensor cable and insert the sensor into the pass-through tube until it reaches the stop bolt at the bottom of the deployment pipe.

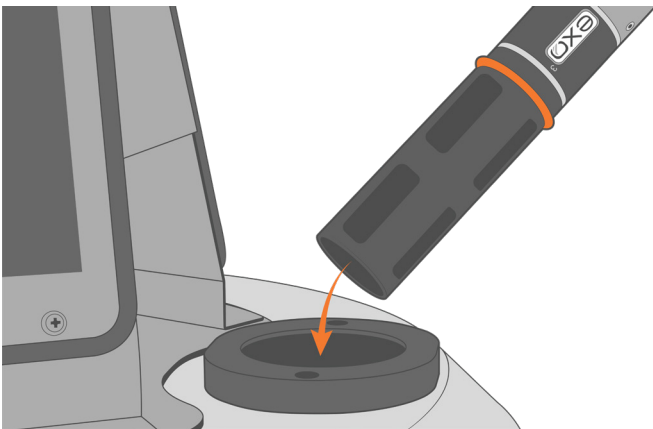


Figure 5: Remove the pass-through tube cover.

- 5 Route the sensor cable through the opening on the pass-through tube cover and tighten down using a 5/16" allen wrench.

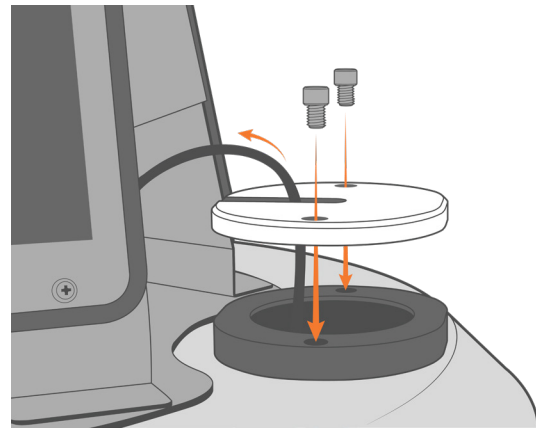


Figure 6: Route the sensor cable.